



YVETTE

TECHNISCHES BLATT
SCHEDA TECNICA
DATA SHEET
FICHE TECHNIQUE

YVETTE

DESIGN CHIARA ANDREATTI, 2019



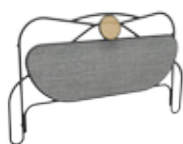
Kopfteilstruktur aus Buchenbugholz und Metallrohr, Dekoration mit Wiener Geflecht. Gepolstertes Zentralelement mit abnehmbarem Bezug. Der Bezug aus Leder ist nicht abnehmbar.

Testiera con struttura in faggio curvato e tubolare metallico, decoro in paglia di Vienna. Elemento centrale con imbottitura sfoderabile. Il rivestimento in pelle non è sfoderabile.

Headboard with bent beech-wood and metal tubular frame. Woven cane decoration. Upholstered central element with removable cover. The cover in leather is not removable.

Tête de lit avec structure en hêtre cintré et tubulaire en métal, décor en paille de Vienne. Élément central rembourré déhoussable. Le rembourrage en cuir n'est pas déhoussable.

Cabecero con estructura en haya curvada y tubular metálico y decoración en paja de Viena. Elemento central con acolchado desenfundable. La tapicería de piel no es desenfundable.



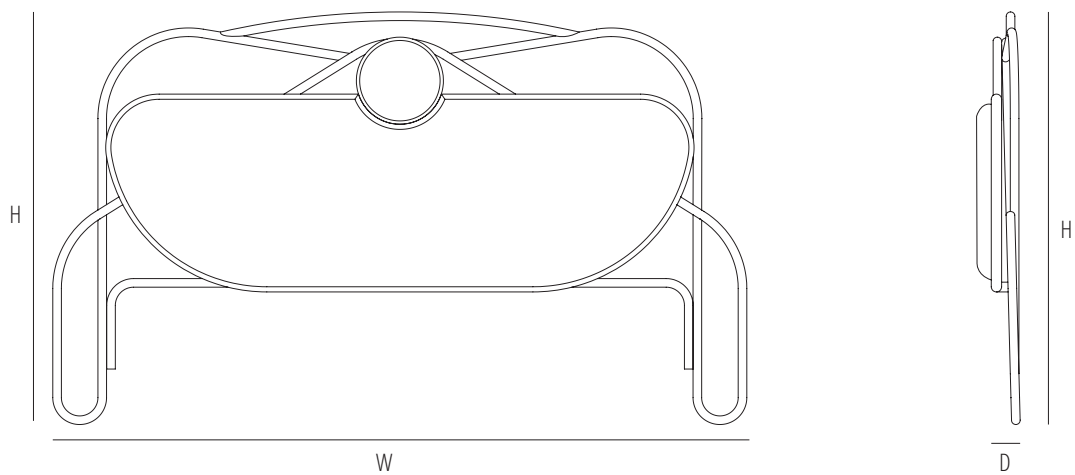
HBYVETTES

Dimensions mm.

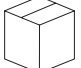


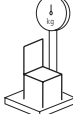
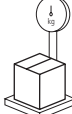
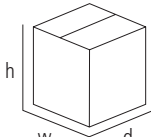
height 1210 | width 2100 | depth 110

Aussenmasse
Ingombro
Outer size
Encombremment





	H	W	D	SH	AH	
mm	1210	2100	110			1 Pz/Pc: 200 cm. Linear x 140 cm h/width
inch	47,6	82,6	4,3			

 1	 max. 1	 0,57	 21	 28	 mm - inch h 1300 - 51,1 w 2200 - 86,6 d 200 - 7,8
--	---	---	---	--	--

Verfuegbare Ausfuehrungen
Finiture disponibili
Available finishes
Finitions disponibles

STAINS / TINTI



B03 DARK WALNUT
B03 NOCE SCURO

CLASSIC LACQUER / LACCATO CLASSICO



C01 - RAL 9005 BLACK

ASSEMBLY INSTRUCTIONS

1

Measurement taken from the center of the holes

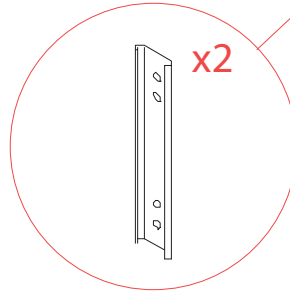
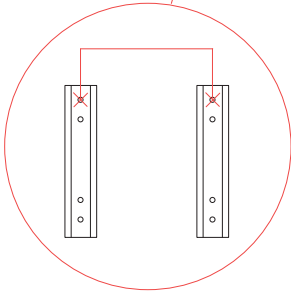
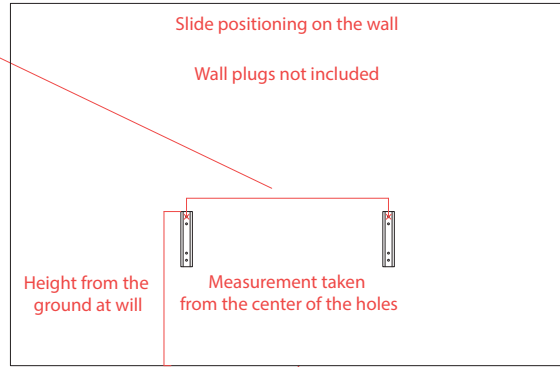
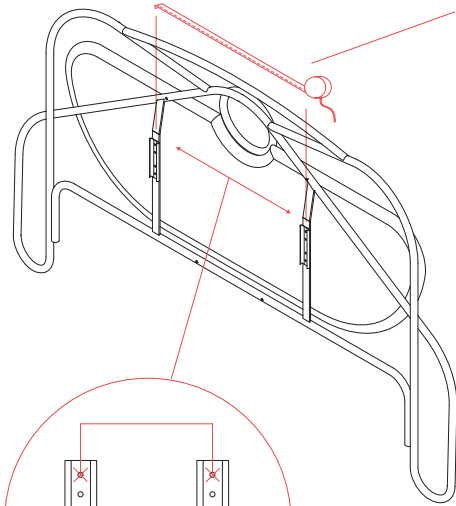
Use the same distance as the sleds on the headboard

Slide positioning on the wall

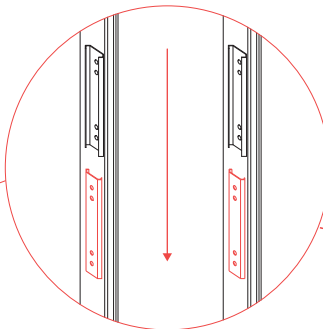
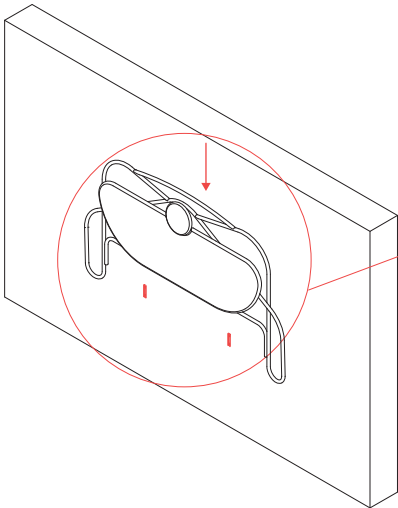
Wall plugs not included

Height from the ground at will

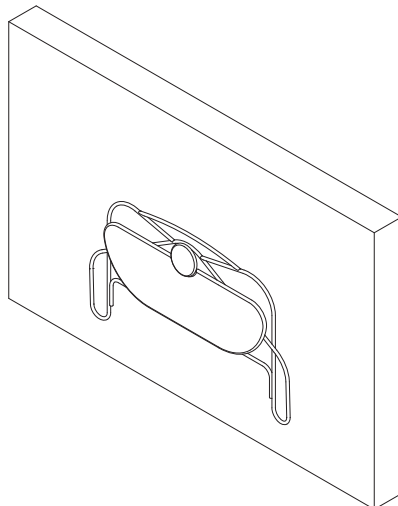
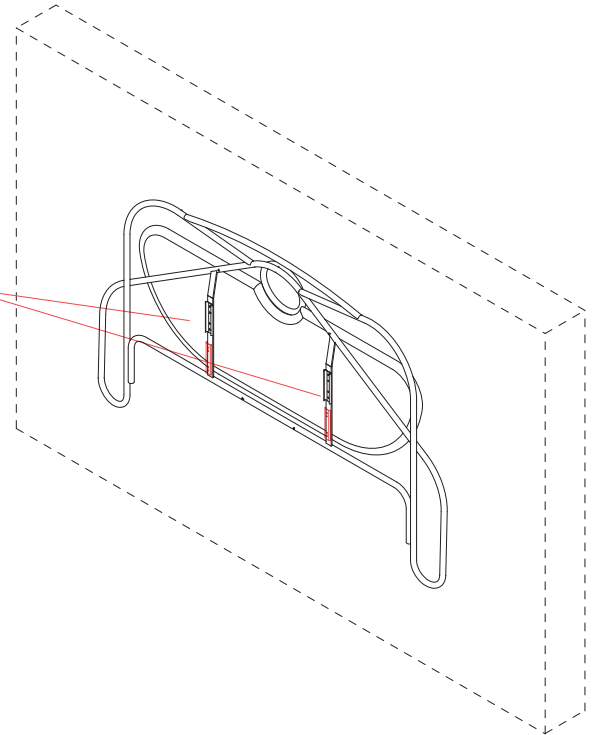
Measurement taken from the center of the holes



2



The sleds highlighted in red have been fixed to the wall previously



Gebrüder Thonet Vienna GmbH
Prinz Eugen Straße 42
1040 Wien (AT)

www.gebruederthonetvienna.com

Offices of the trademarks' licensee
Production Furniture International S.p.A.
Via Foggia, 23/H
10152 Torino (TO) Italy

Phone: 0039 011 0133330 - info@gebruederthonetvienna.com