



NYNY

TECHNISCHES BLATT
SCHEDA TECNICA
DATA SHEET
FICHE TECHNIQUE

NYNY

DESIGN STORAGE MILANO, 2020



NYNY ist eine Familie von Schränken, die aus einem vertikalen Schrank mit einer totemistischen Seele, einem Buffet mit horizontaler Entwicklung und einer Kommode besteht. Jeder besteht aus vier, sechs bzw. zwei Modulen, die aus lackiertem Holz mit dekorativen Elementen aus Wiener Geflecht hergestellt sind. Die Module sind dank der an der Wand zu befestigenden Metallstruktur mit satiniertem Messing-Ausführung aufgehängt.

NYNY è una famiglia di contenitori formata da un mobile verticale dall'animo totemico, una madia a sviluppo orizzontale ed una cassettera. Ognuno è rispettivamente composto da quattro, sei e due moduli, realizzati in legno laccato con elementi decorativi in paglia di Vienna. I moduli sono sospesi grazie ad una struttura in metallo, con finitura in ottone satinato, da fissare a parete.

NYNY is a family of storage units composed by a vertical container with a totemic spirit, an horizontal sideboard and a chest of drawers. Each piece of furniture is respectively made up of four, six and two modules in lacquered wood with decorative elements in woven cane. The modules are suspended thanks to the metal structure, with satin brass finish, to be fixed to the wall.

NYNY est une famille de meubles de rangement composée d'un meuble vertical à l'âme totemique, d'un buffet à développement horizontal et d'une commode. Chacun est respectivement composé de quatre, six et deux modules, en bois laqué avec éléments décoratifs en paille de Vienne. Les modules sont suspendus grâce à une structure métallique, finition laiton satiné, à fixer au mur.

NYNY es una familia de contenedores formada por un mueble vertical con alma totémica, un aparador con forma horizontal y una cómoda. Cada uno está compuesto respectivamente por cuatro, seis y dos módulos, fabricados en madera lacada con elementos decorativos en paja de Viena. Los módulos están suspendidos gracias a una estructura metálica, con acabado en latón satinado, que se fija a la pared.



MCNYYNTM1

Dimensions mm.

height 2000 | width 1650 | depth 450



MCNYYNC31

Dimensions mm.

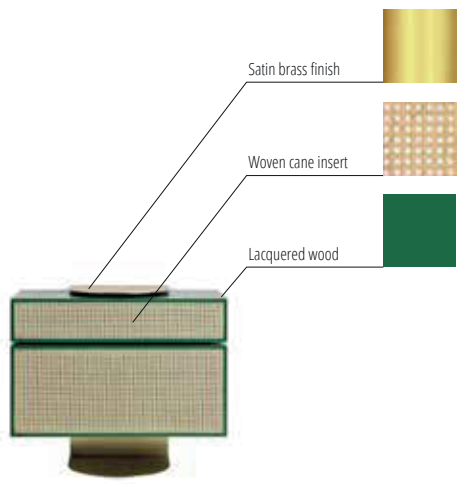
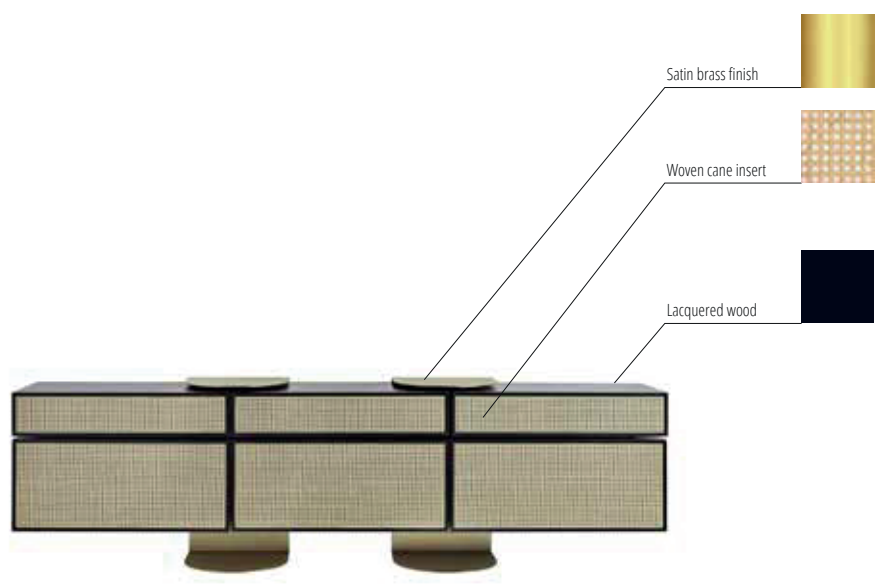
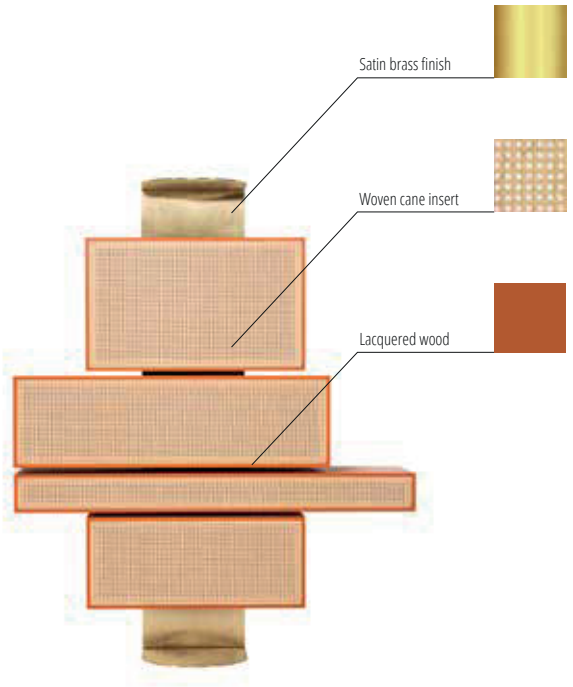
height 750 | width 2710 | depth 450

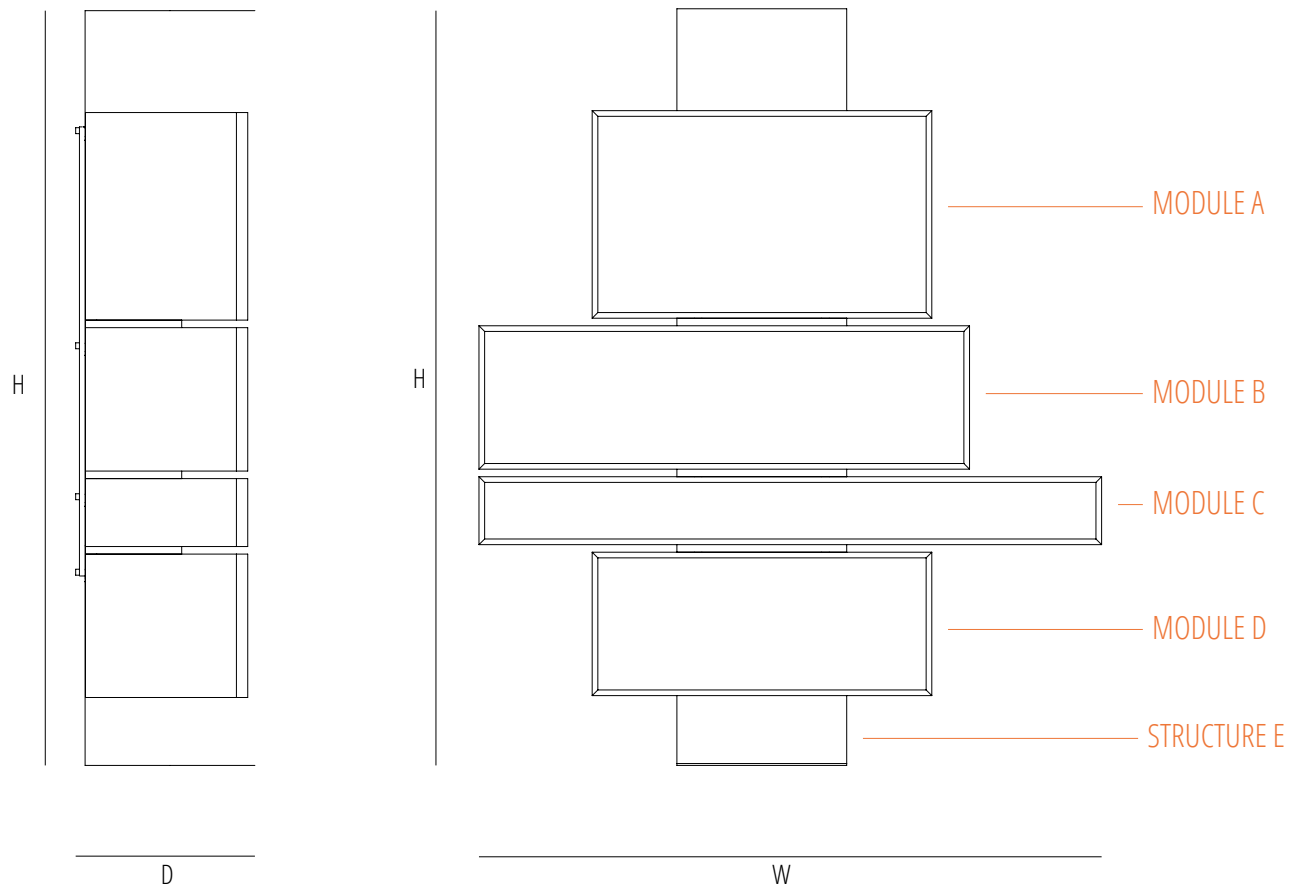


MCNYYNCS1

Dimensions mm.

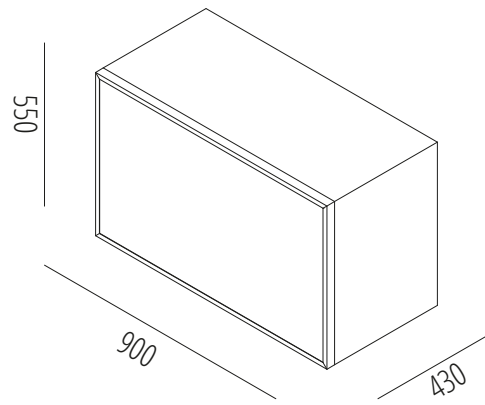
height 750 | width 900 | depth 450



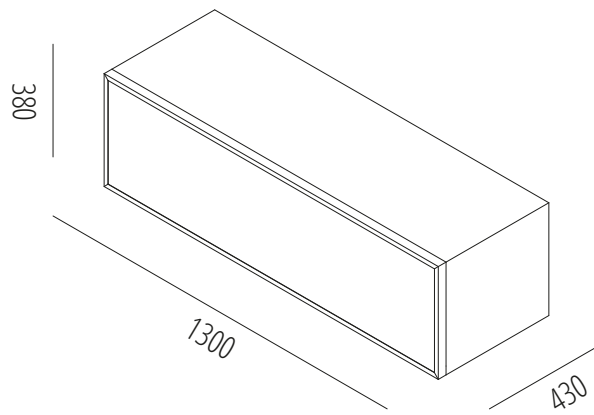


	H	W	D	SH	AH
mm	2000	1650	450		
inch	78,7	64,9	17,7		

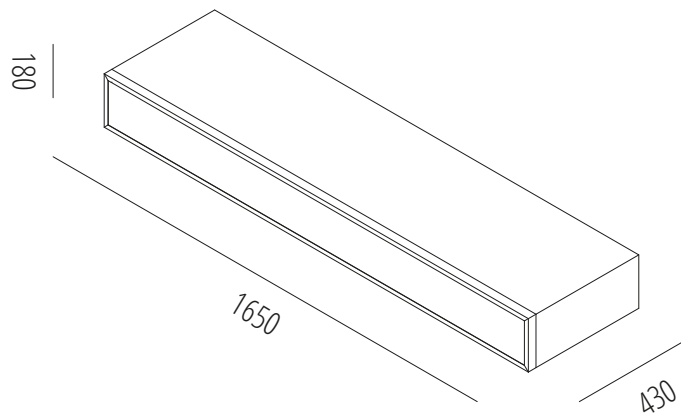
MODULE A		1		max.1		0.27		20		25		mm - inch h 600 - 23,6 w 950 - 37,4 d 480 - 18,8
MODULE B		1		max.1		0.28		25		30		mm - inch h 430 - 16,9 w 1350 - 53,1 d 480 - 18,8
MODULE C		1		max.1		0.19		15		20		mm - inch h 230 - 9 w 1700 - 66,9 d 480 - 18,8
MODULE D		1		max.1		0.20		20		25		mm - inch h 430 - 14,9 w 950 - 66,9 d 480 - 18,8
STRUCTURE E		1		max.1		0,27		15		20		mm - inch h 1250 - 98,4 w 450 - 66,9 d 480 - 18,8



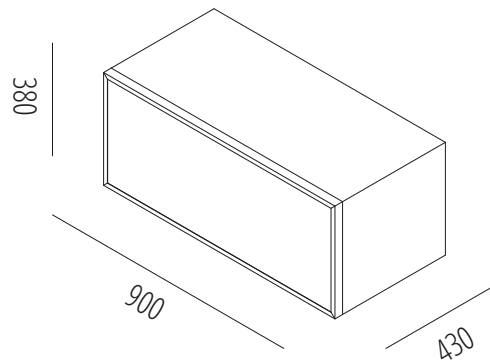
MODULE A



MODULE B

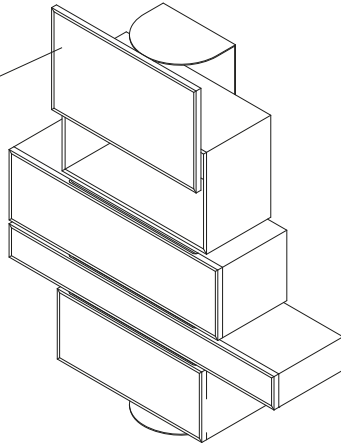


MODULE C

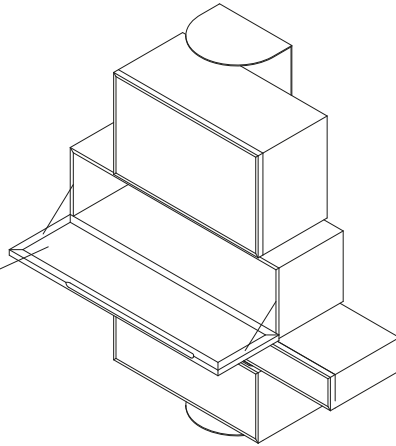


MODULE D

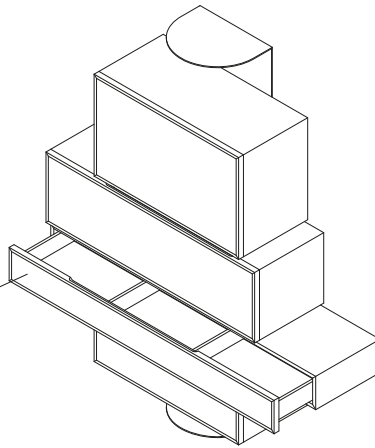
Upward opening door



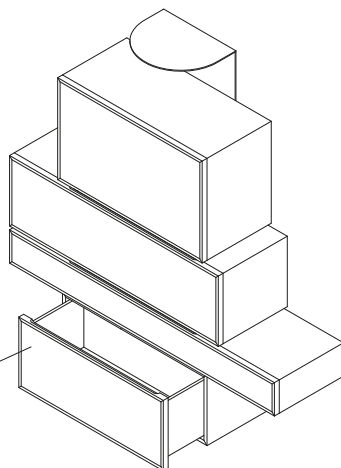
Flap door than can be used as a shelf

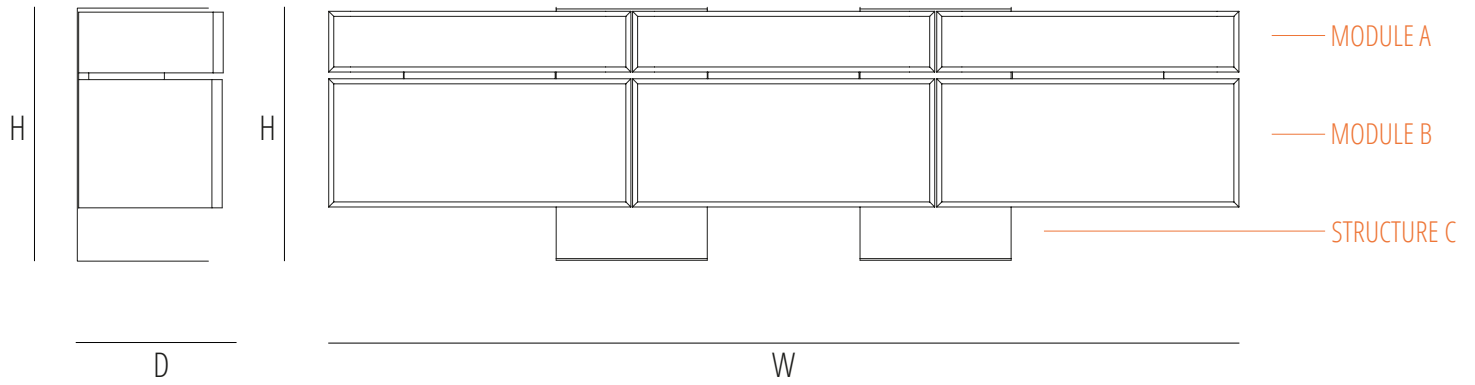


Pull-out drawer

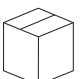


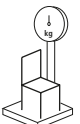
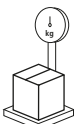
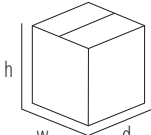
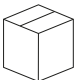


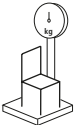
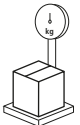
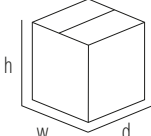
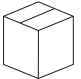
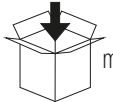

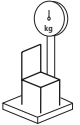
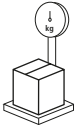
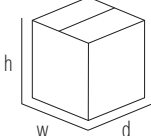


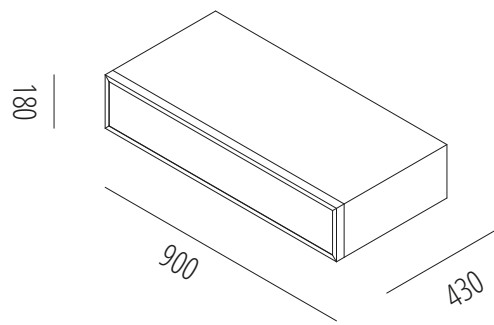
Pull-out drawer



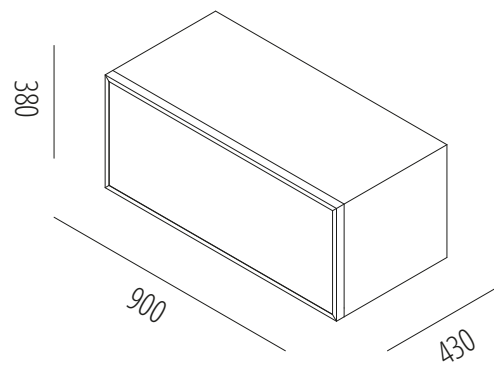


	H	W	D	SH	AH
mm	750	2710	450		
inch	29,5	106,6	17,7		

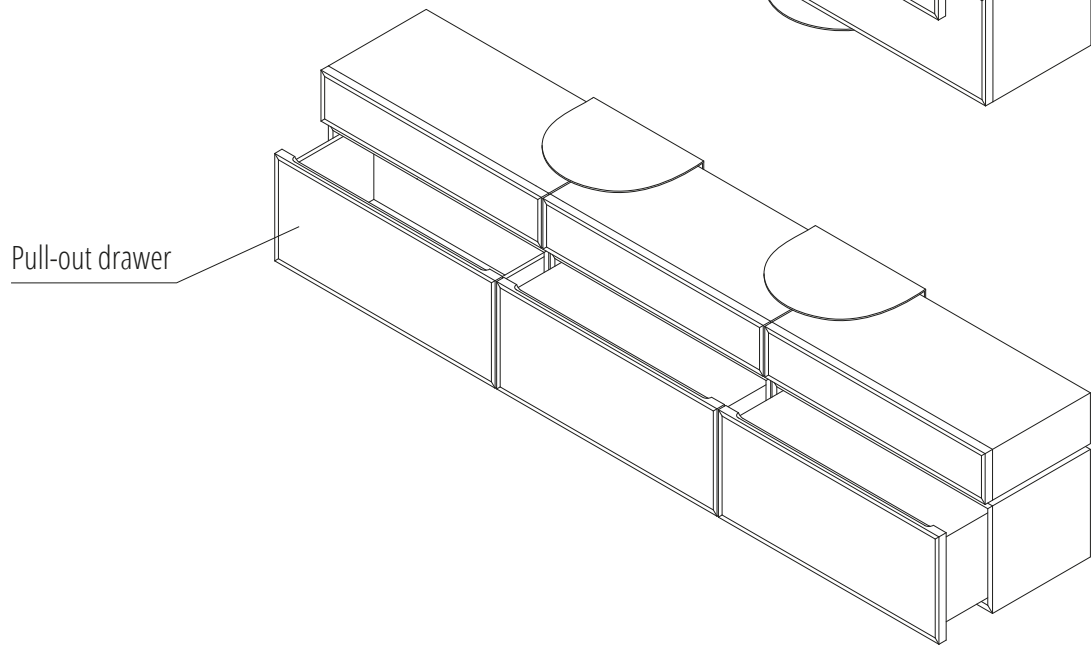
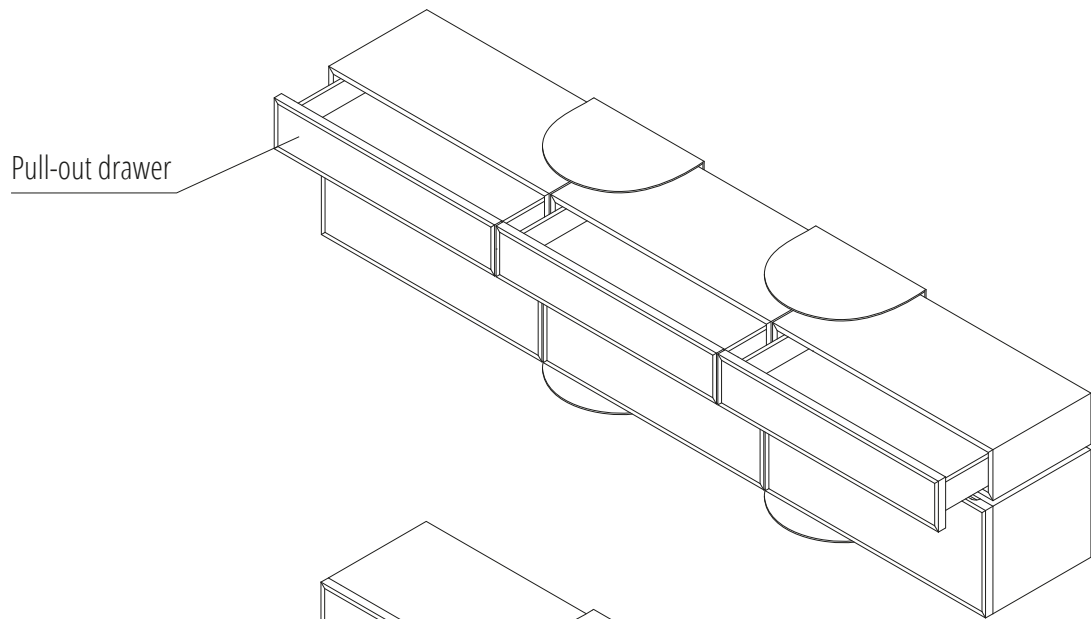
MODULE A	 3	 max.1	 0,10	 10	 13		mm - inch h 230 - 9 w 950 - 37,4 d 480 - 18,8
MODULE B	 3	 max.1	 0,19	 20	 24		mm - inch h 430 - 14,9 w 950 - 37,4 d 480 - 18,8
STRUCTURE C	 1	 max.1	 1,04	 60	 65		mm - inch h 800 - 31,4 w 2710 - 66,9 d 480 - 18,8

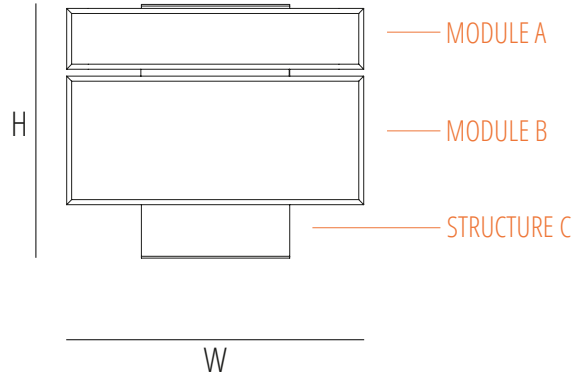
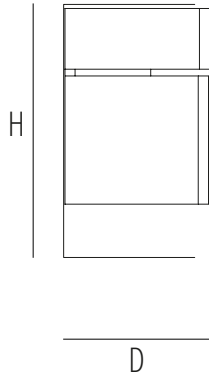


MODULE A - x 3

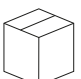
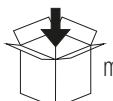

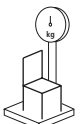
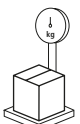
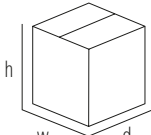
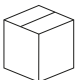


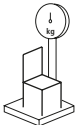
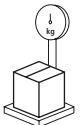
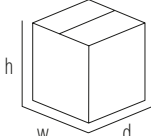
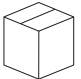


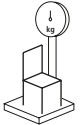
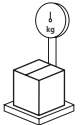
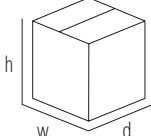


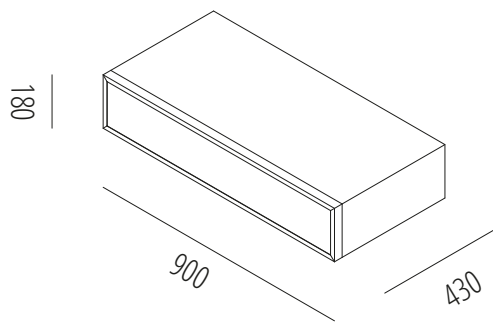
MODULE B - x 3



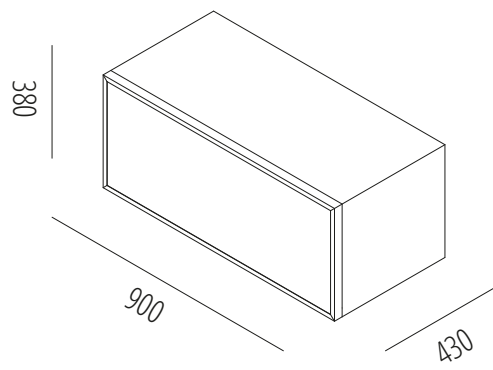


	H	W	D	SH	AH
mm	750	900	450		
inch	29,5	35,4	17,7		

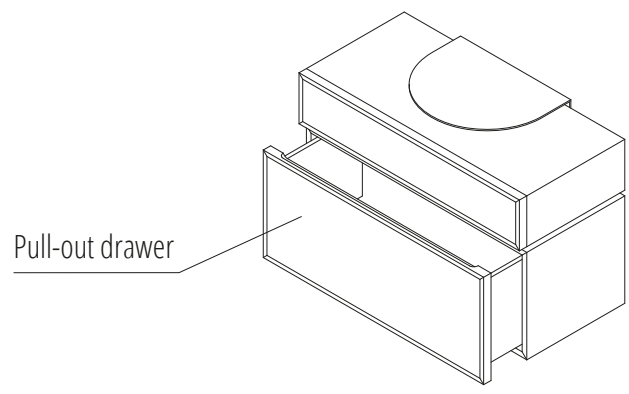
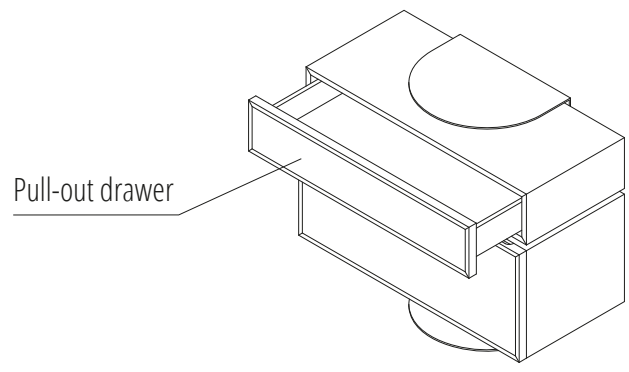
MODULE A	 1	 max.1	 0,10	 10	 13		mm - inch h 230 - 9 w 950 - 37,4 d 480 - 18,8
MODULE B	 1	 max.1	 0,19	 20	 24		mm - inch h 430 - 14,9 w 950 - 37,4 d 480 - 18,8
STRUCTURE C	 1	 max.1	 0,17	 30	 33		mm - inch h 800 - 31,4 w 450 - 66,9 d 480 - 18,8



MODULE A

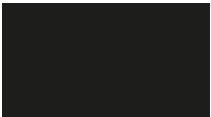


MODULE B



Verfuegbare Ausfuehrungen
Finiture disponibili
Available finishes
Finitions disponibles

CLASSIC LACQUER / LACCATO CLASSICO



C01 - RAL 9005 BLACK

CONTEMPORARY LACQUER / LACCATO CONTEMPORANEO



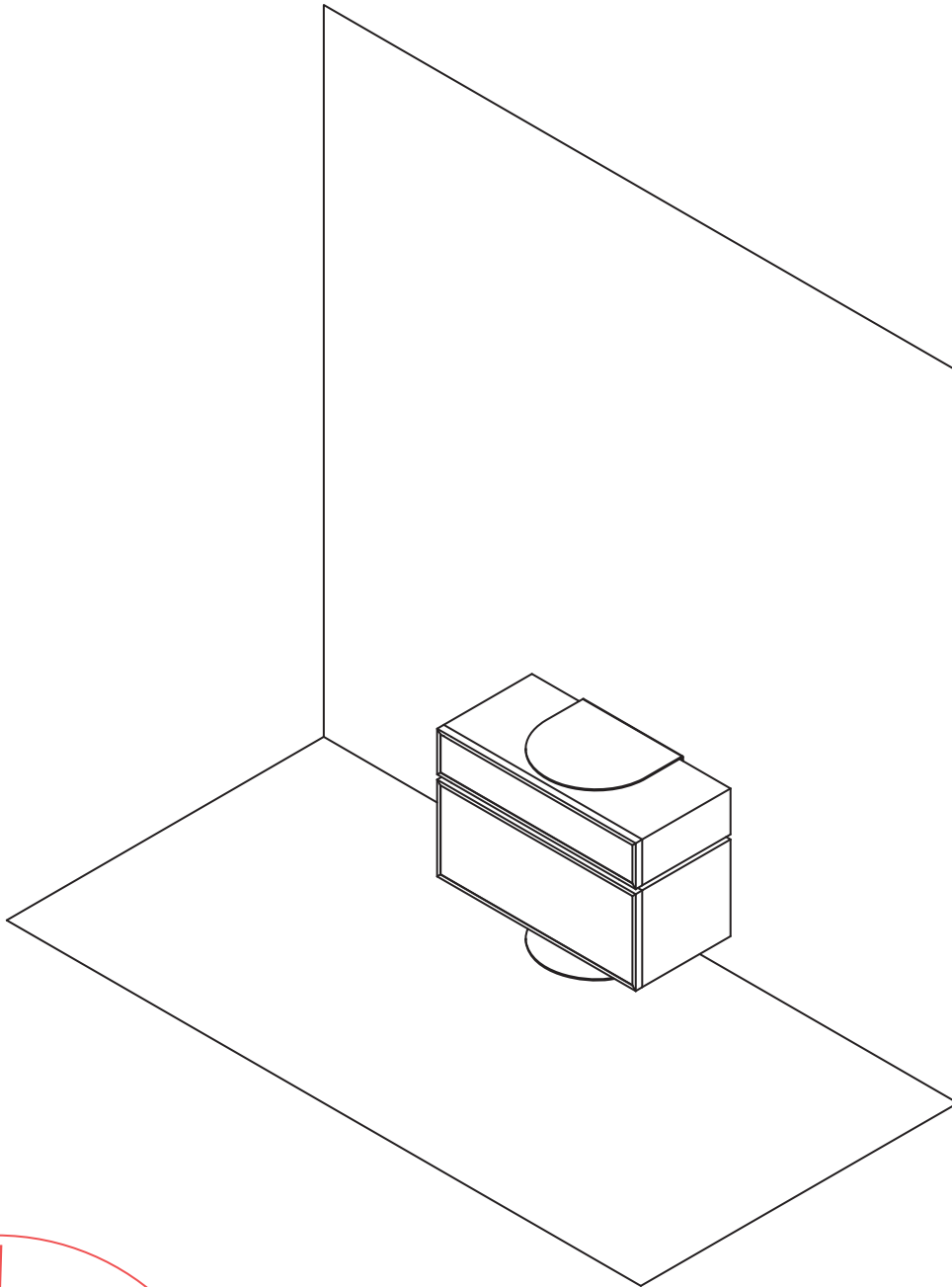
D29 - S3060 Y60R RED ORANGE



D23 - S6020 G10Y DARK GREEN

NYNY DRAWERS

ASSEMBLY INSTRUCTIONS







**NYNY furniture cannot
be fixed to plasterboard walls**

 Allen key 4 mm not included

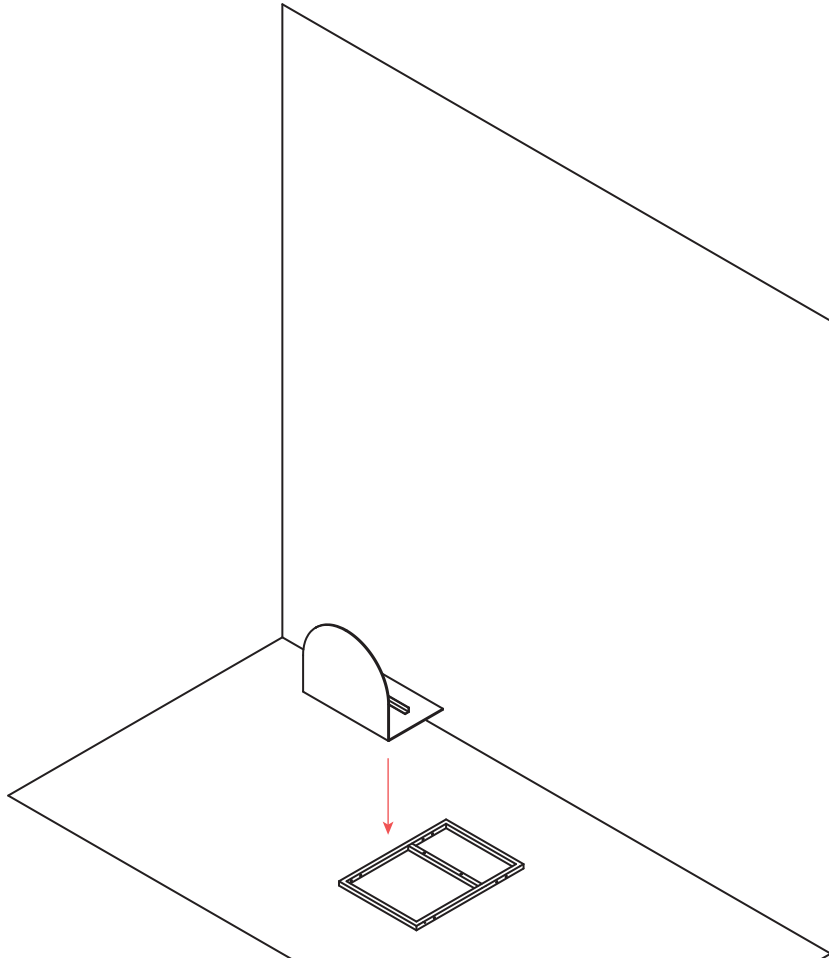
 Wall screws not included

 Wall plugs not included

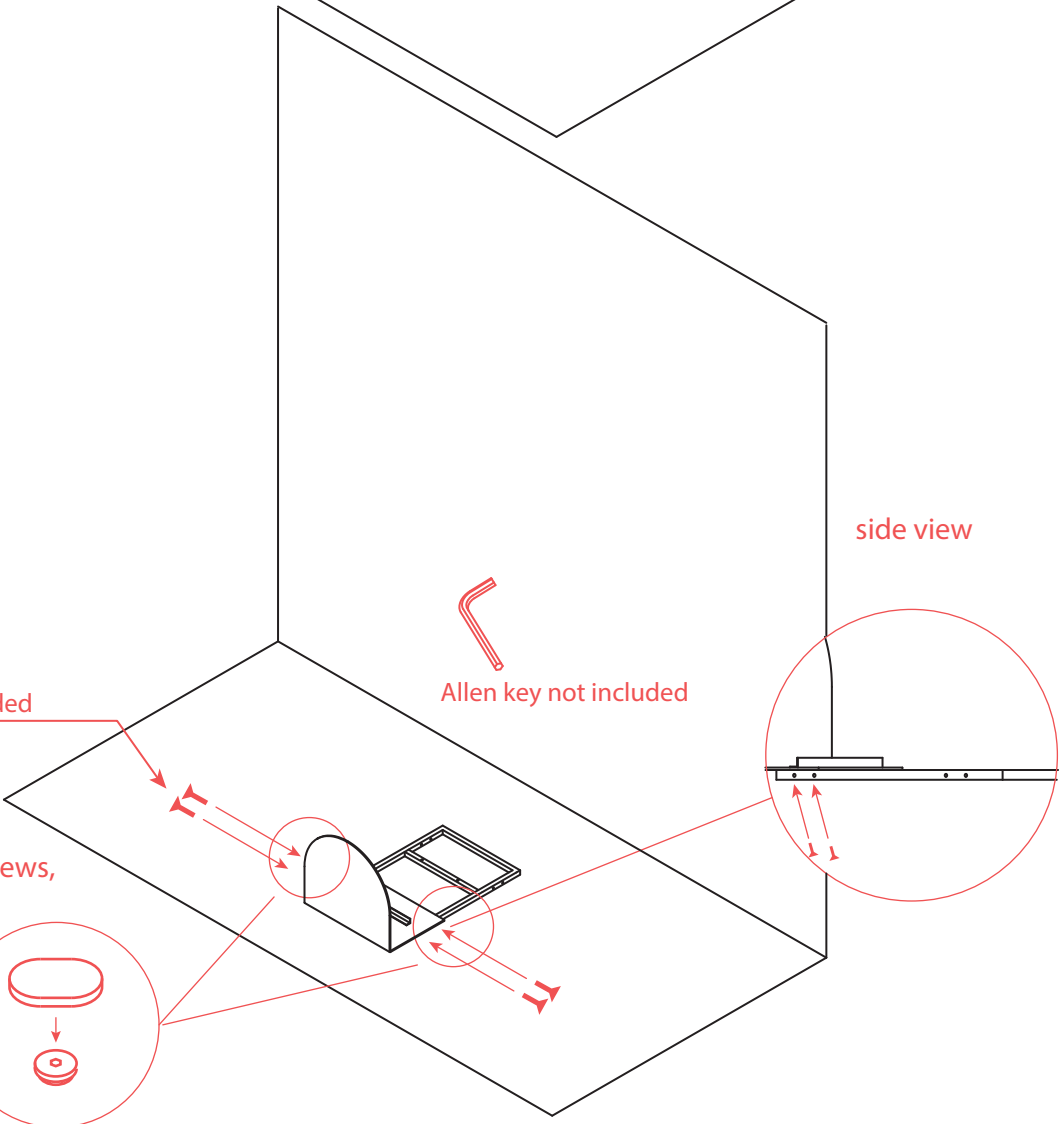
 Pale brown cap	x4
 Black cap	x8
 Allen screws	x12
 Wood Dowel Pin	x4

SET UP THE STRUCTURE

1

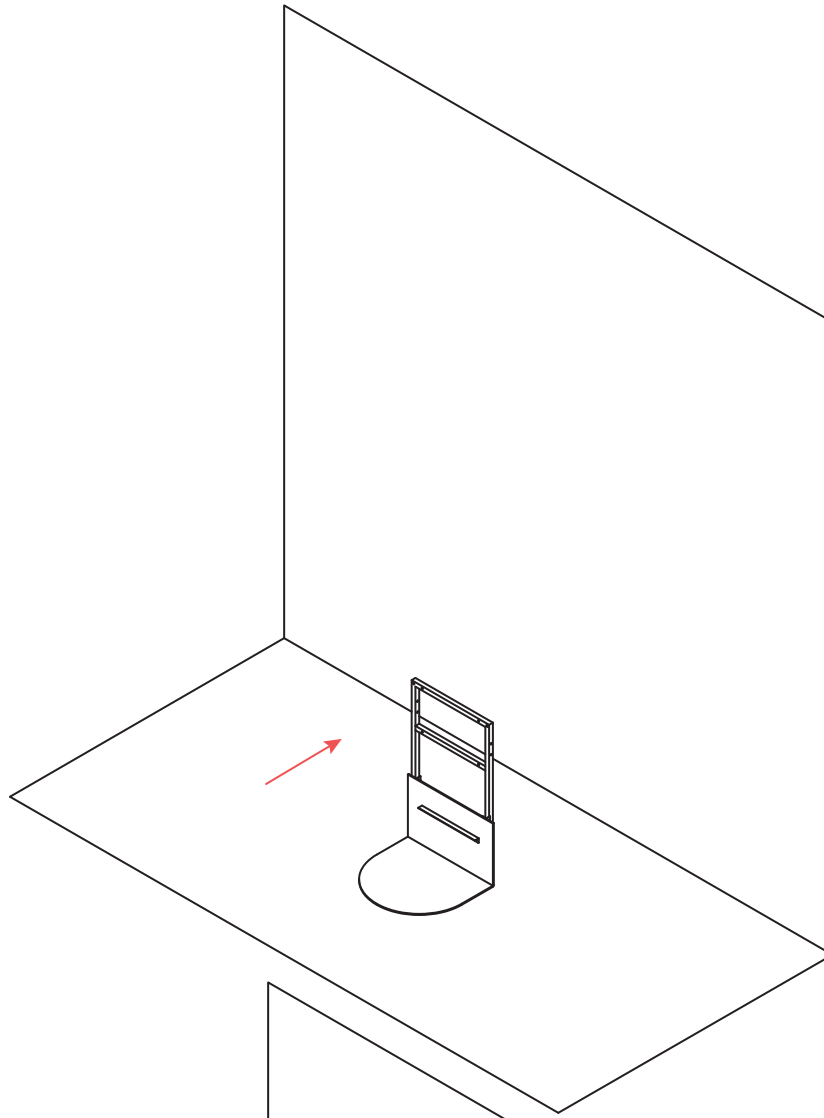


2



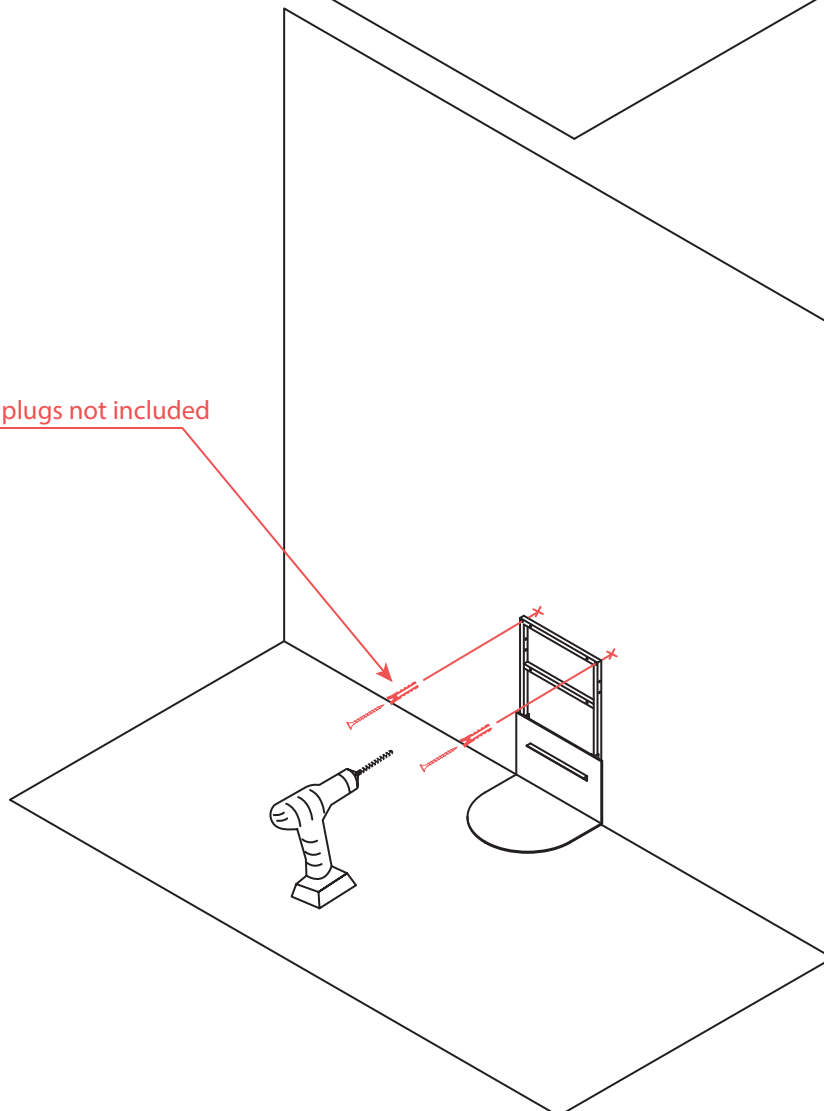
STRUCTURE TO BE FIXED TO WALL

3



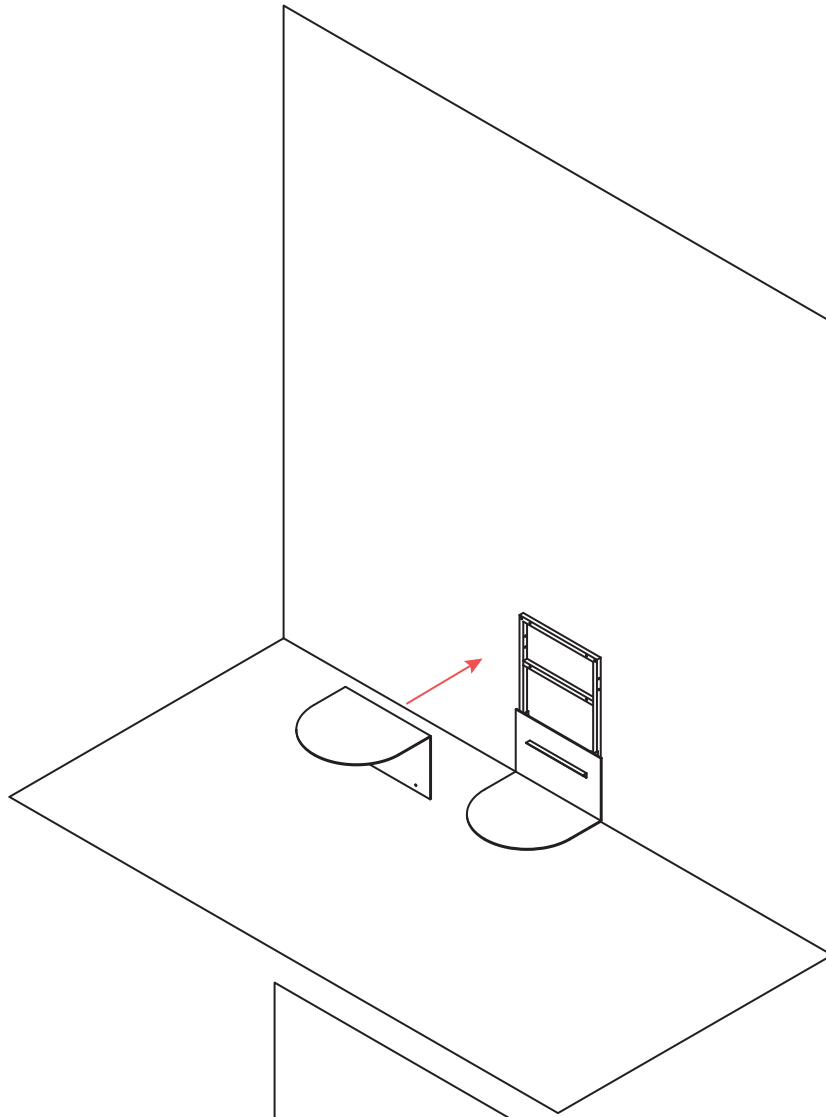
4

Wall plugs not included

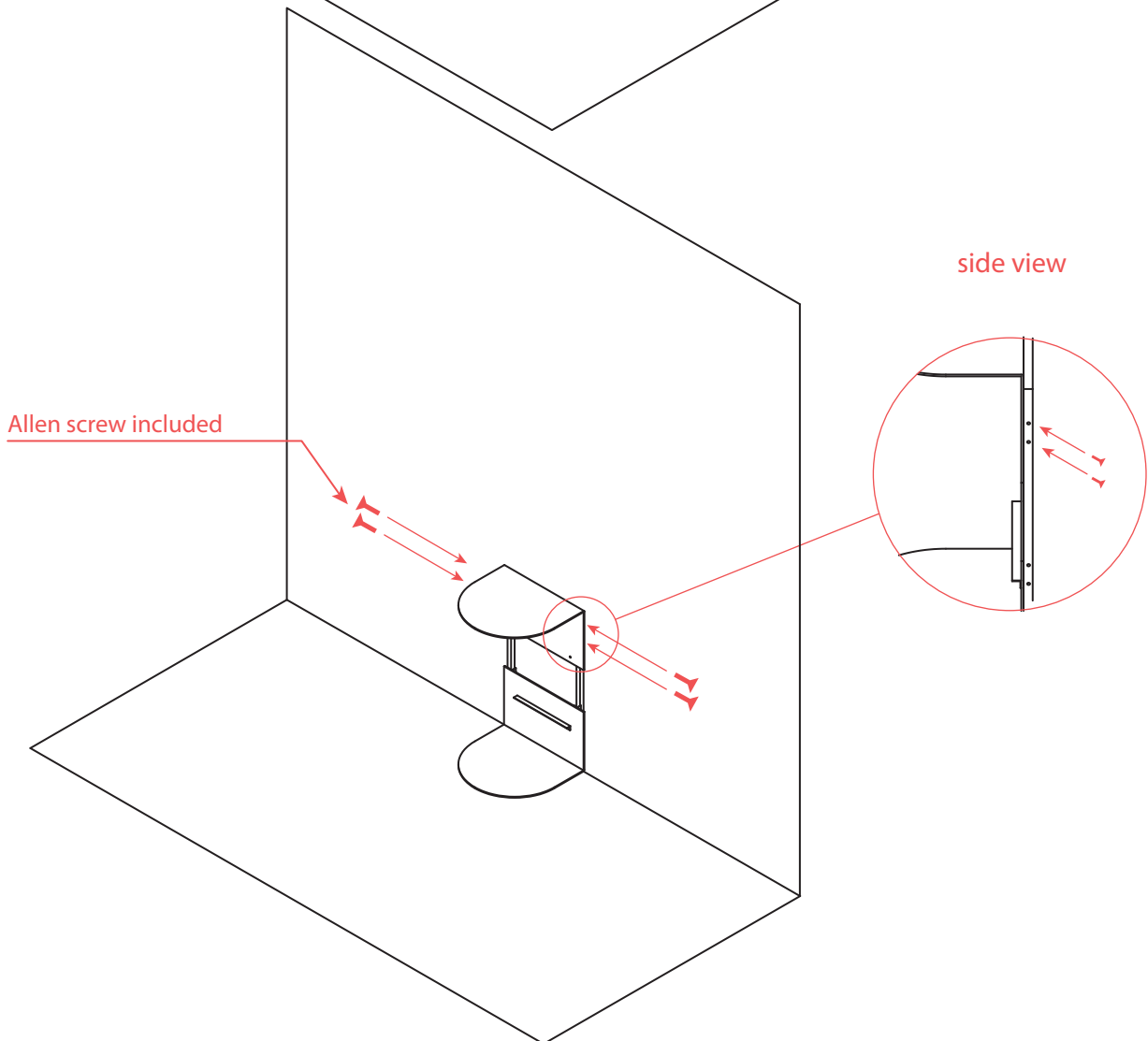


SET UP THE STRUCTURE

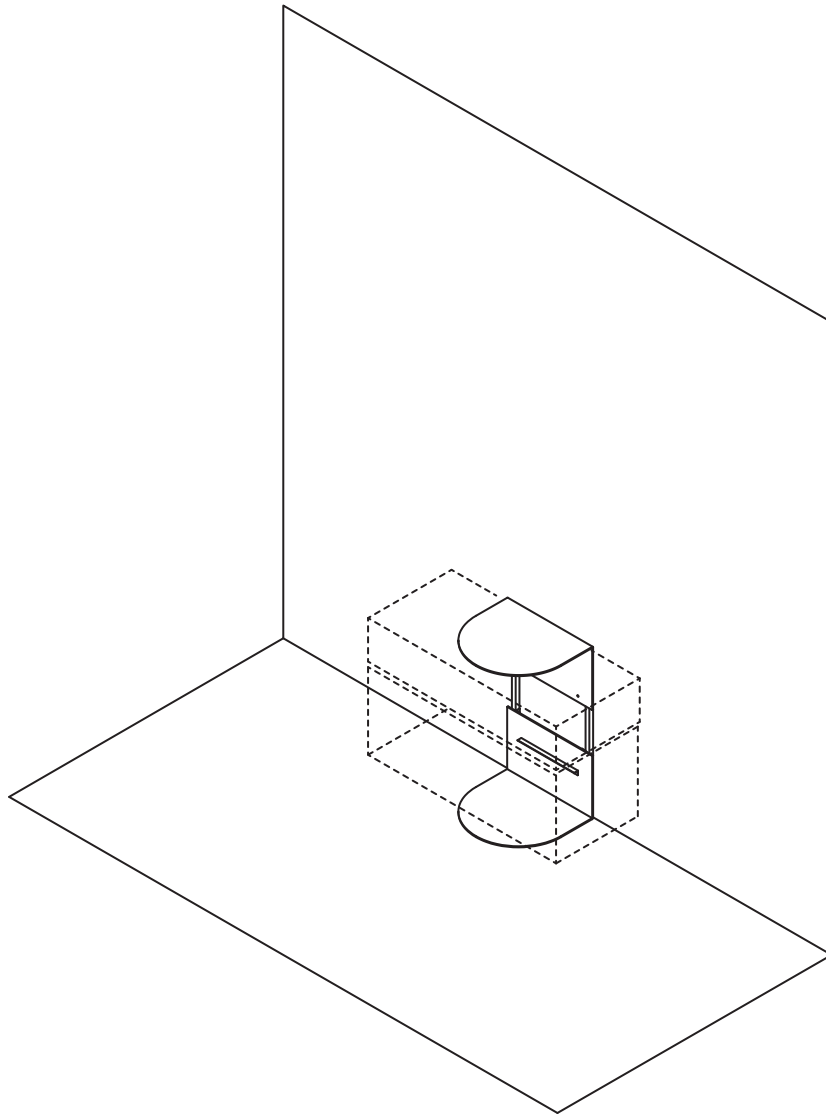
5



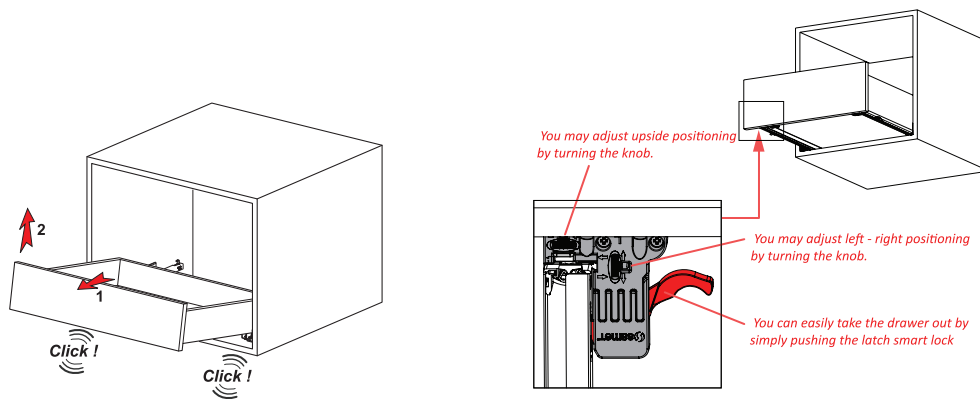
6



SET UP THE STRUCTURE



before assembling the modules, remove the sliding drawer



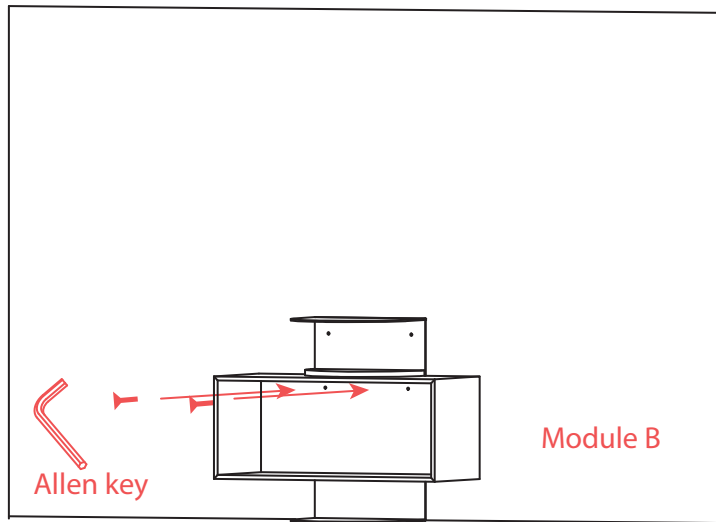
You may adjust upside positioning by turning the knob.

You may adjust left - right positioning by turning the knob.

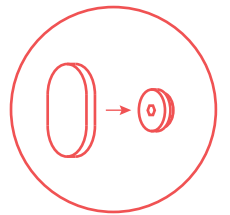
You can easily take the drawer out by simply pushing the latch smart lock

SCREW MODULE B TO THE STRUCTURE

7

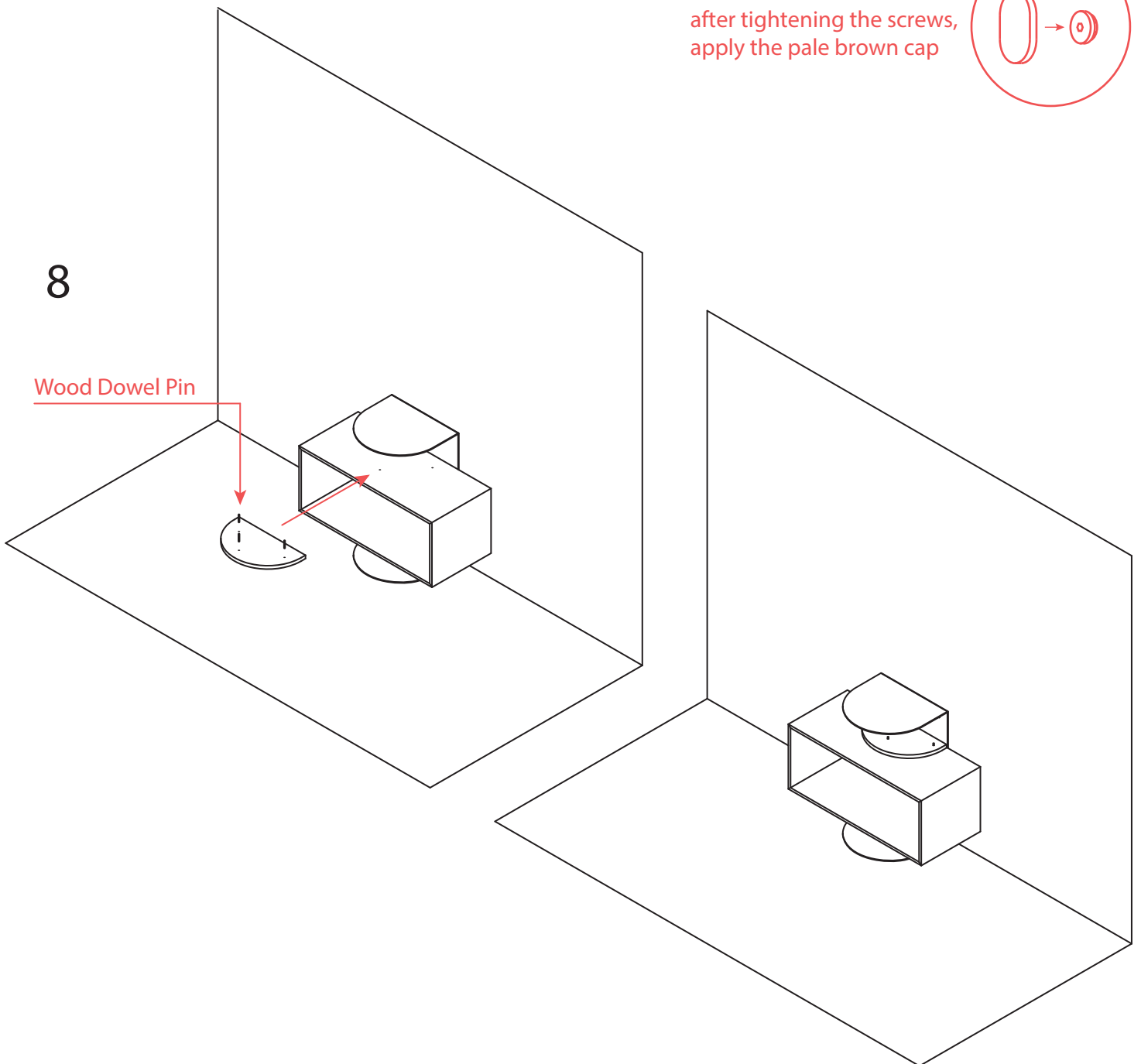


after tightening the screws,
apply the pale brown cap



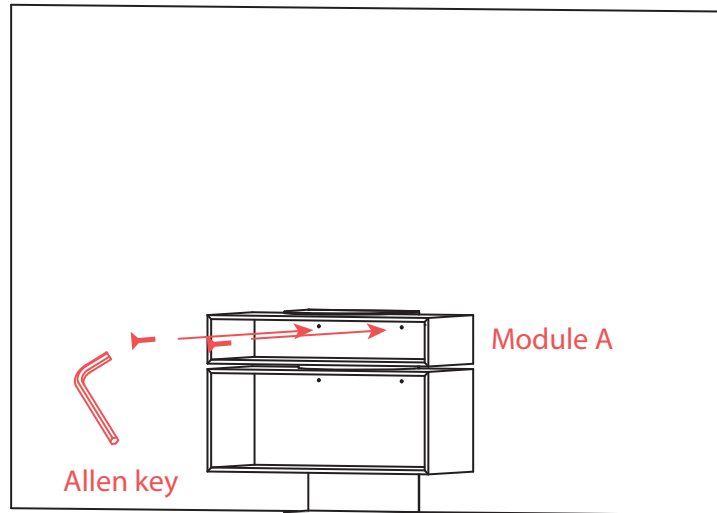
8

Wood Dowel Pin

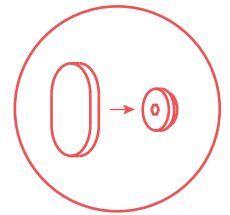


SCREW MODULE A TO THE STRUCTURE

9

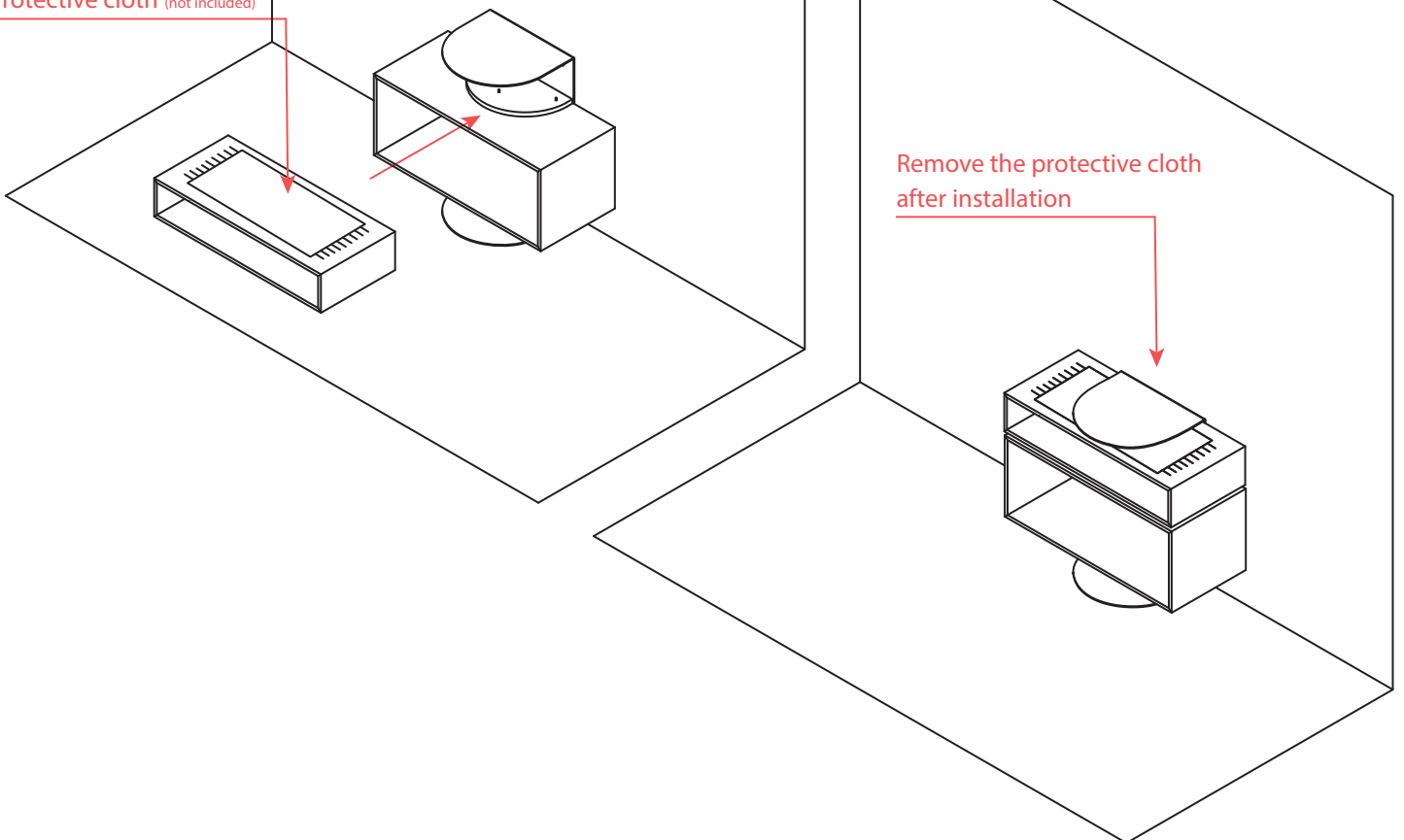


after tightening the screws,
apply the pale brown cap



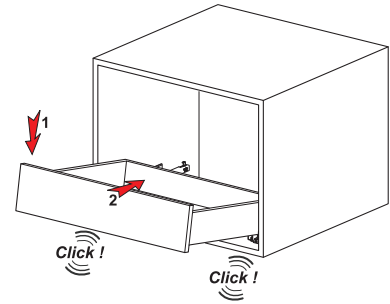
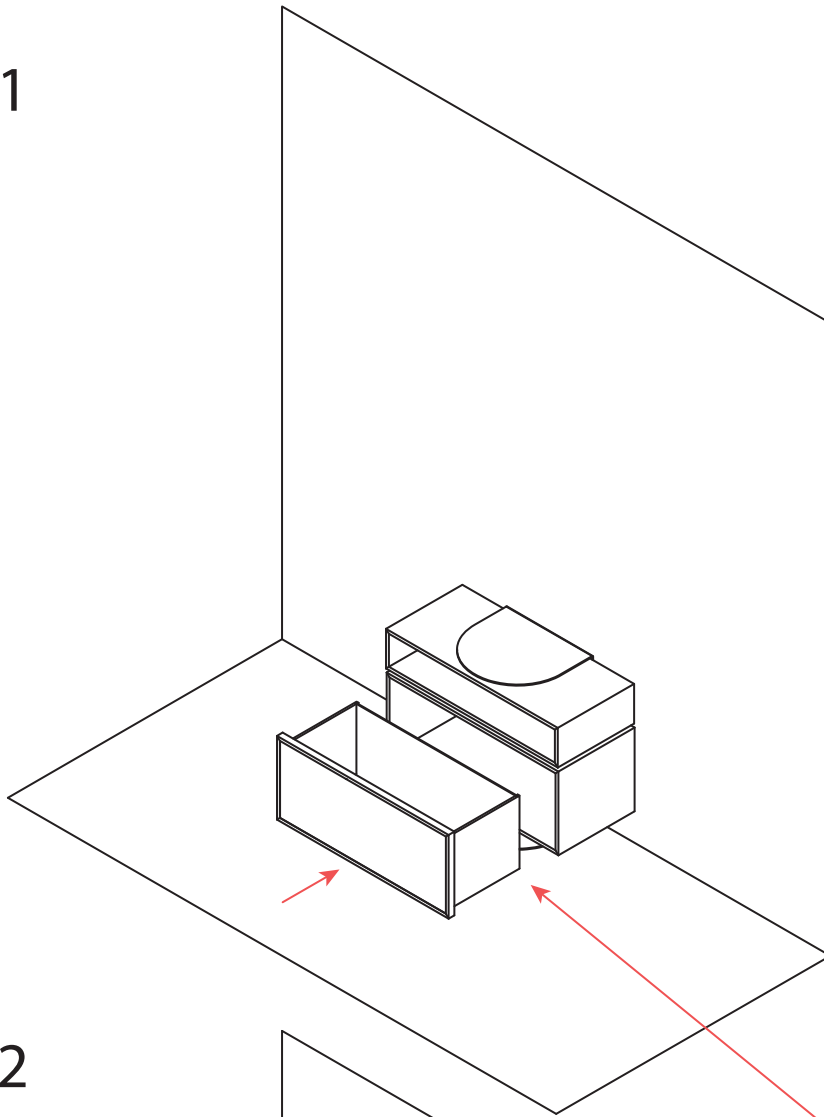
10

Protective cloth (not included)

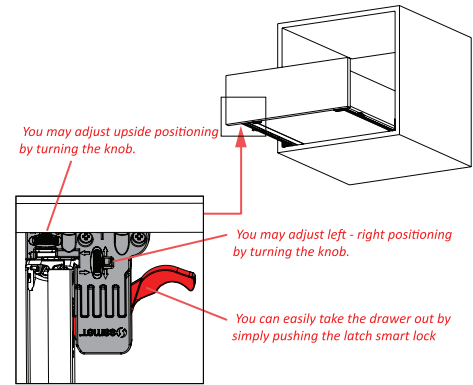
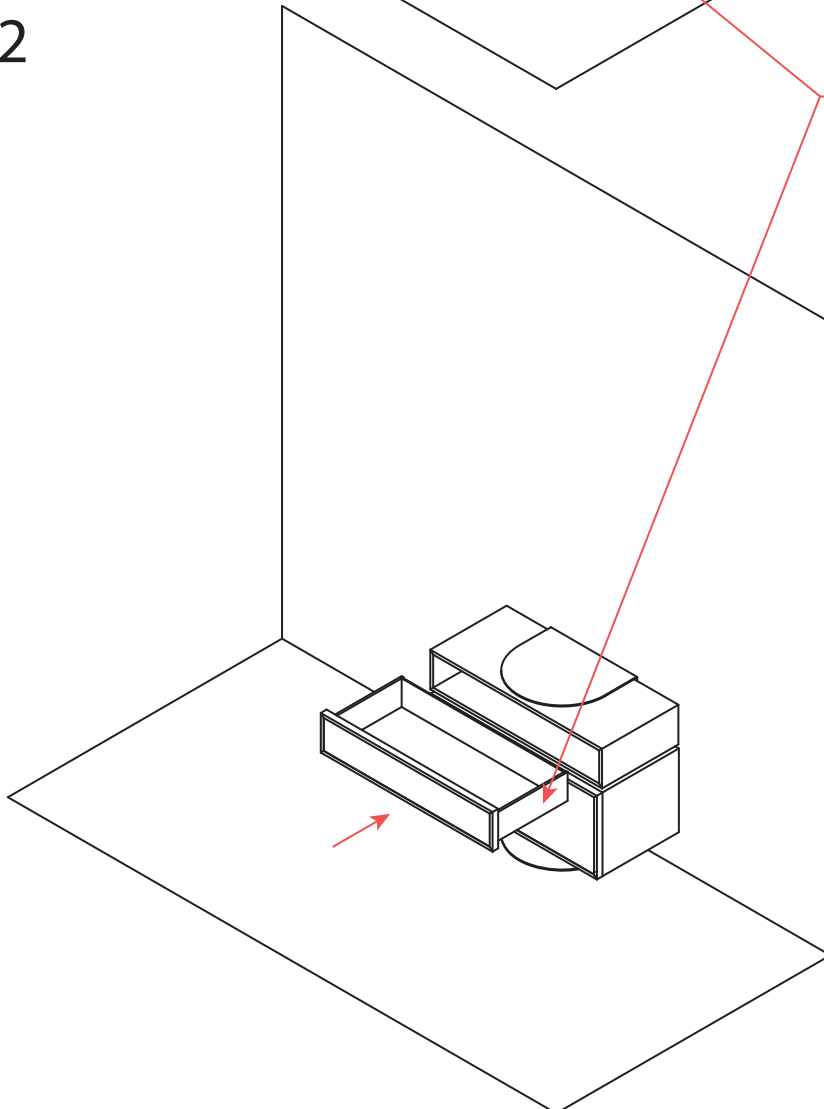


INSERT THE PULL-OUT DRAWERS IN MODULE B AND A

11

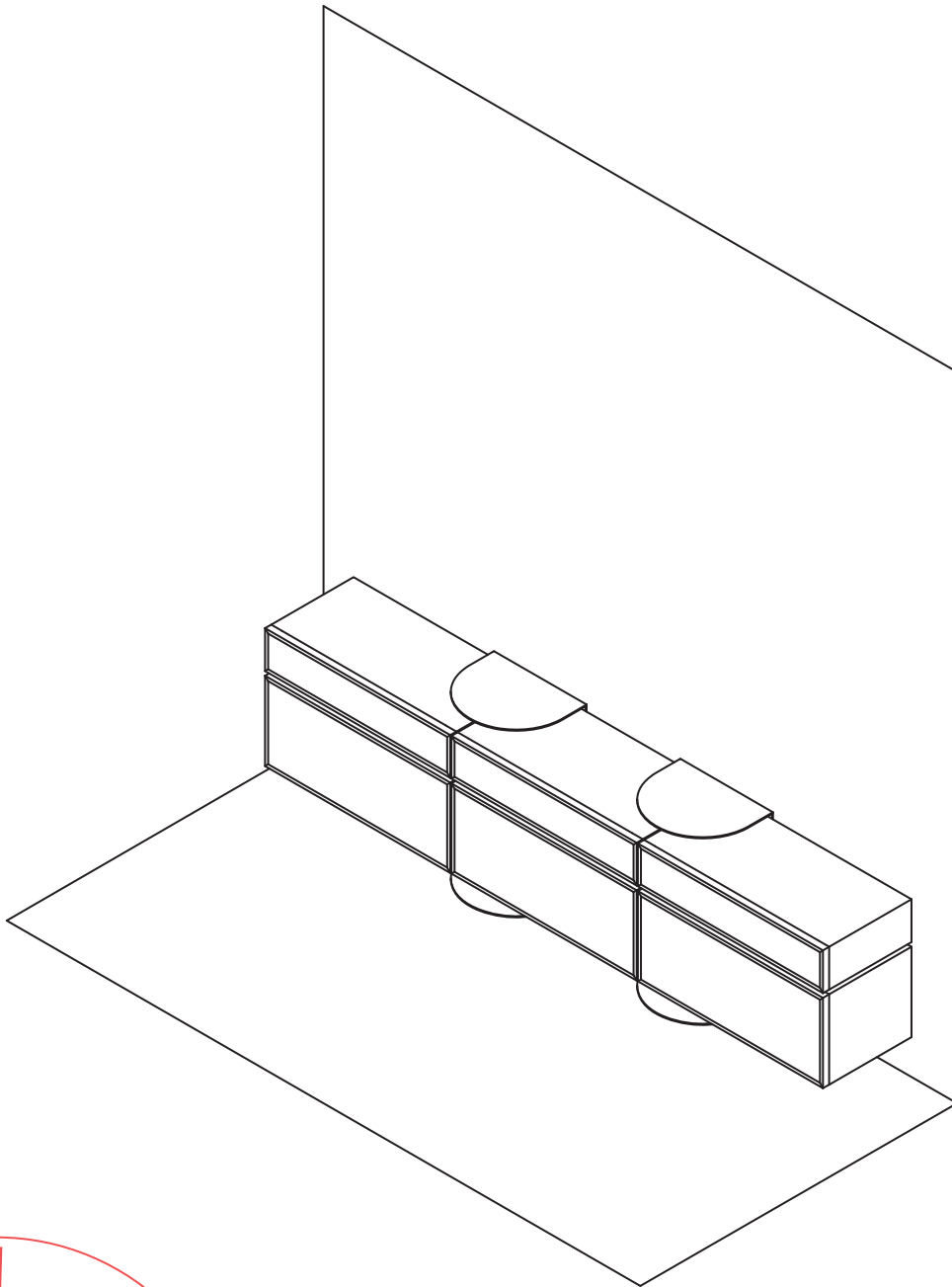


12



NYNY SIDEBOARD

ASSEMBLY INSTRUCTIONS







**NYNY furniture cannot
be fixed to plasterboard walls**

 Allen key 4 mm not included

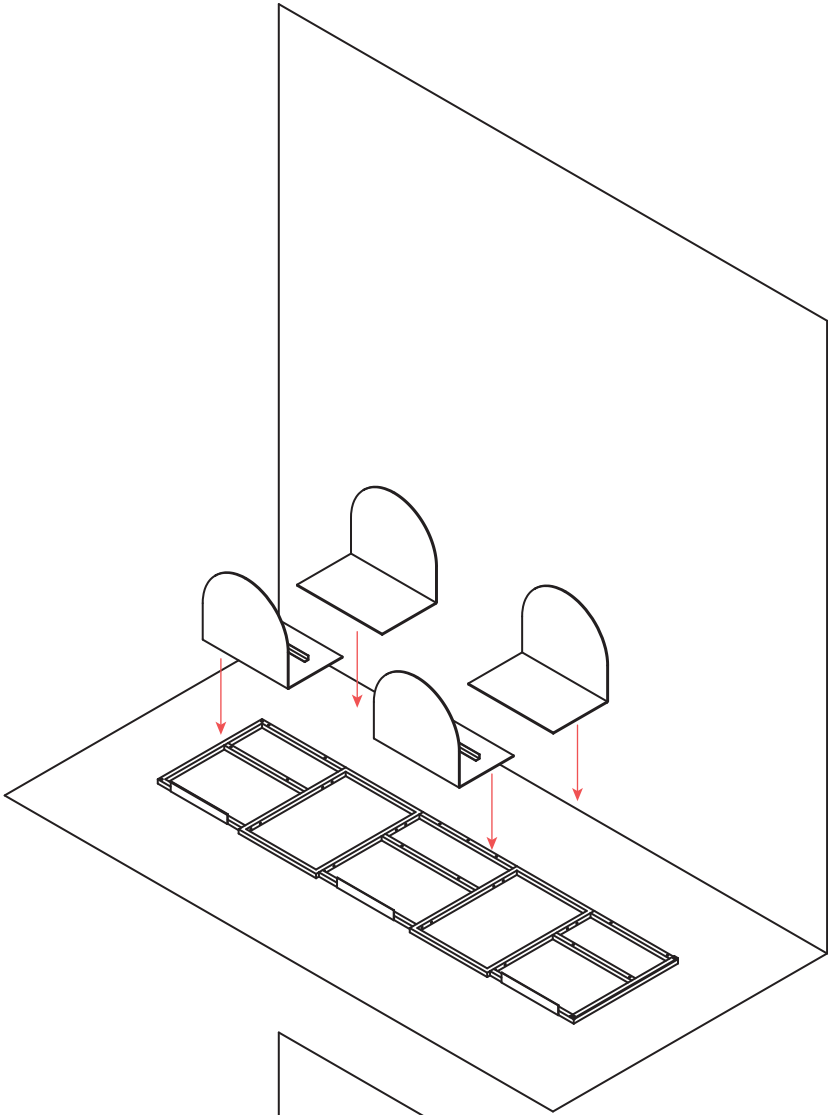
 Wall screws not included

 Wall plugs not included

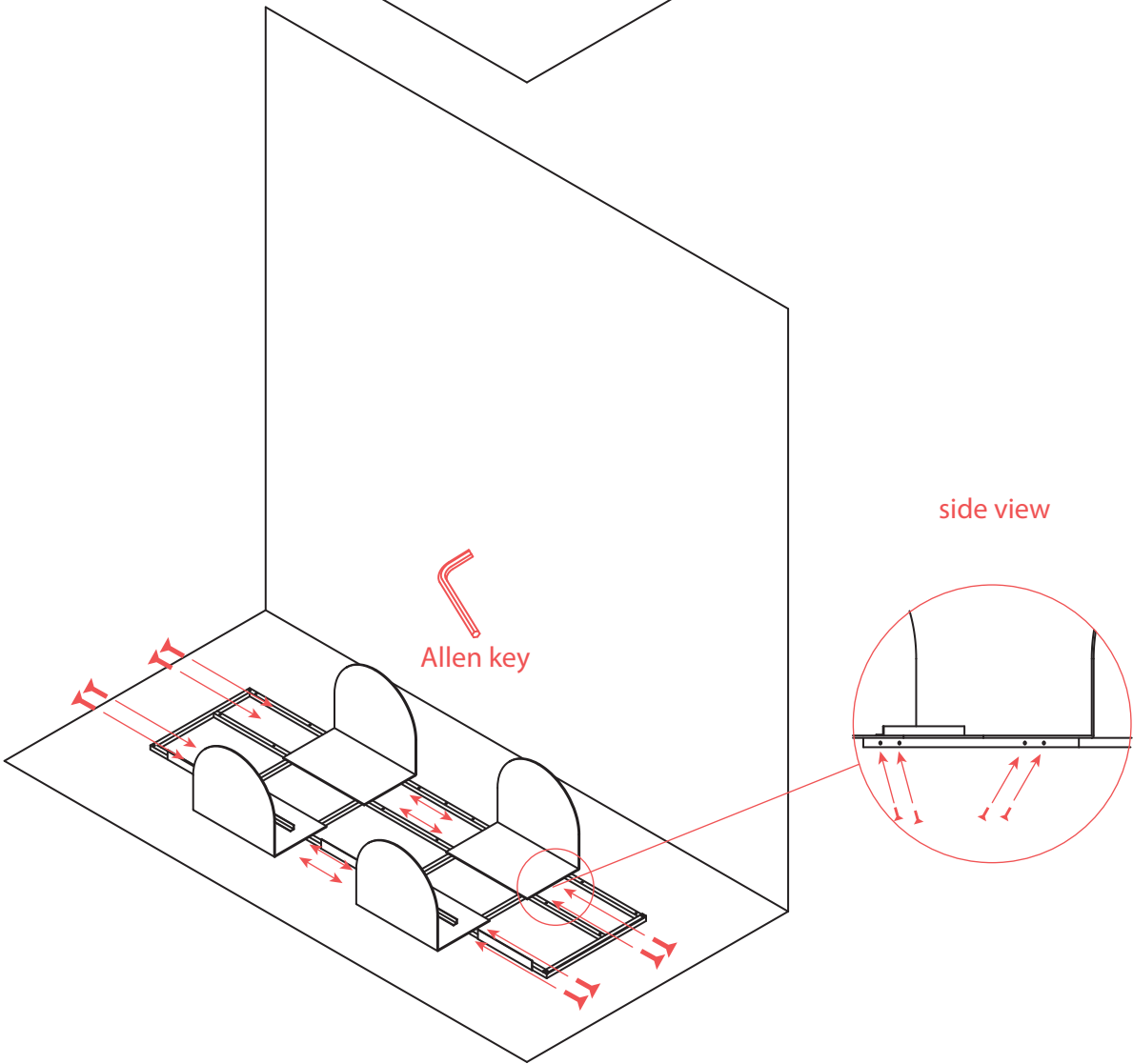
 Pale brown cap	x12
 Allen screws	x28
 Black cylinder	x12
 Wood Dowel Pin	x10

SET UP THE STRUCTURE

1



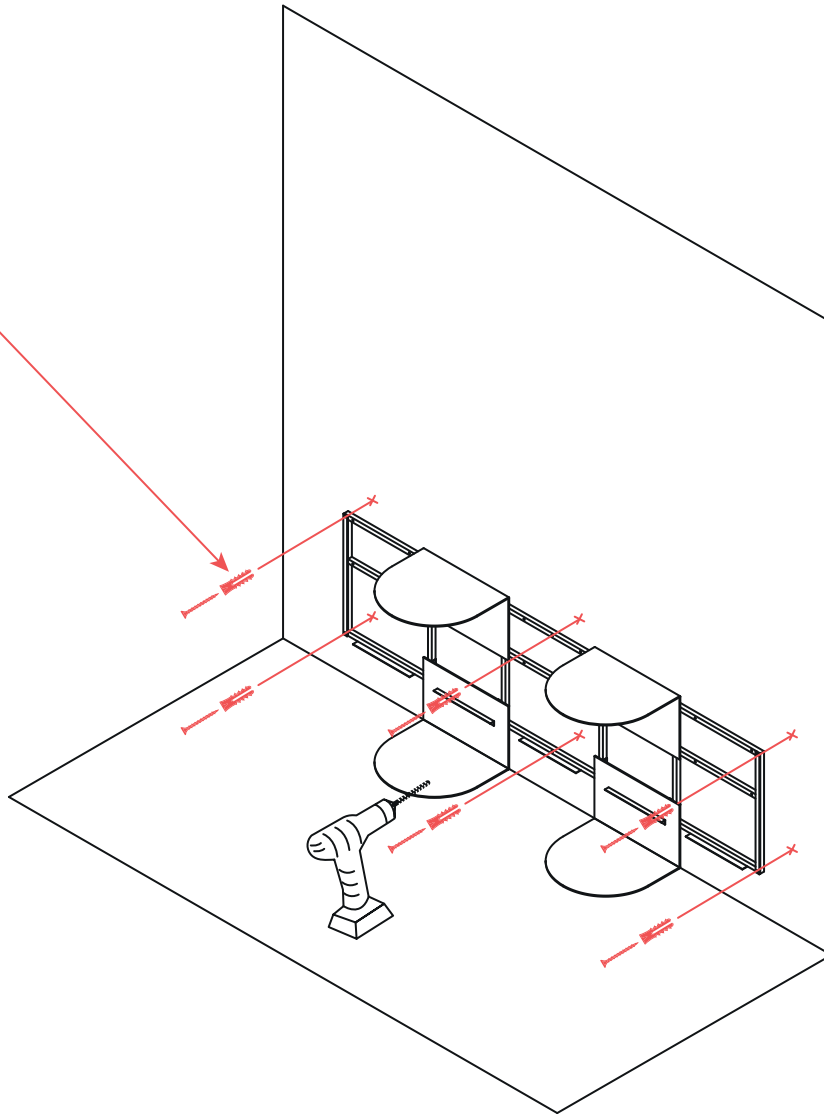
2



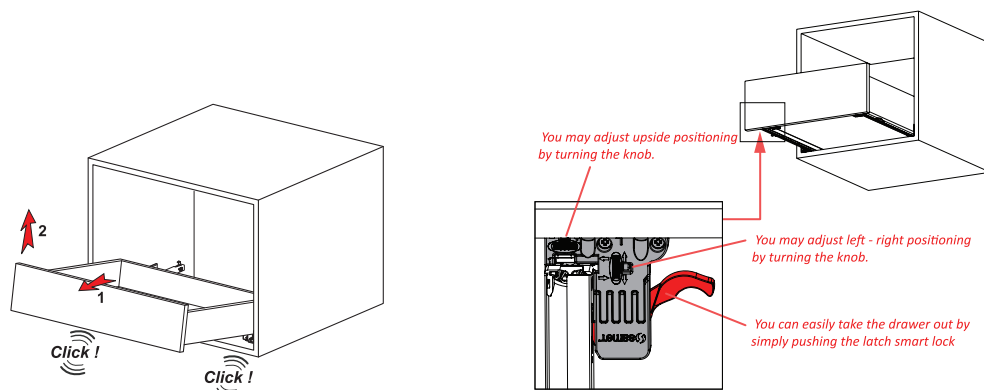
STRUCTURE TO BE FIXED TO WALL

Wall plugs not included

3

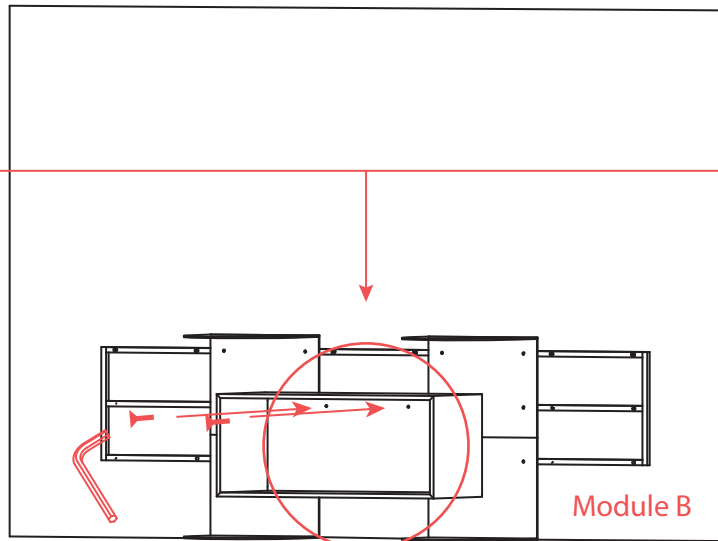
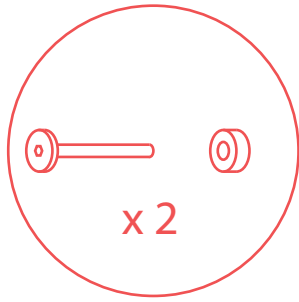


before assembling the modules, remove the sliding drawer

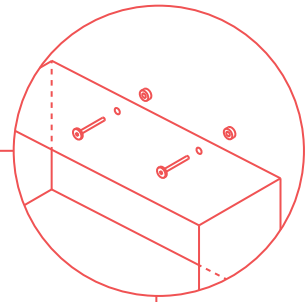


SCREW MODULE B TO THE STRUCTURE

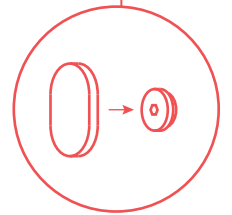
4



Allen key

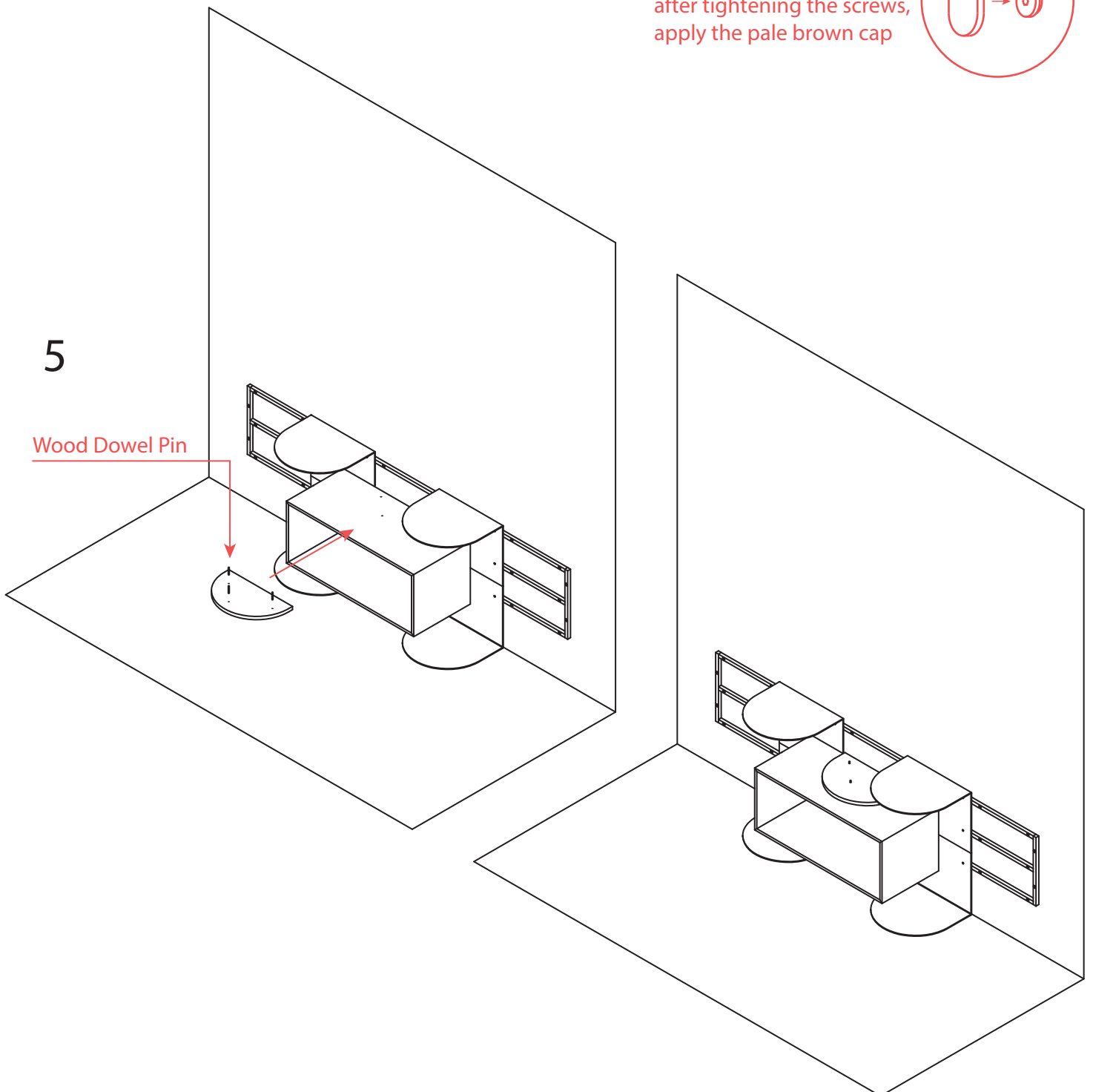


after tightening the screws,
apply the pale brown cap



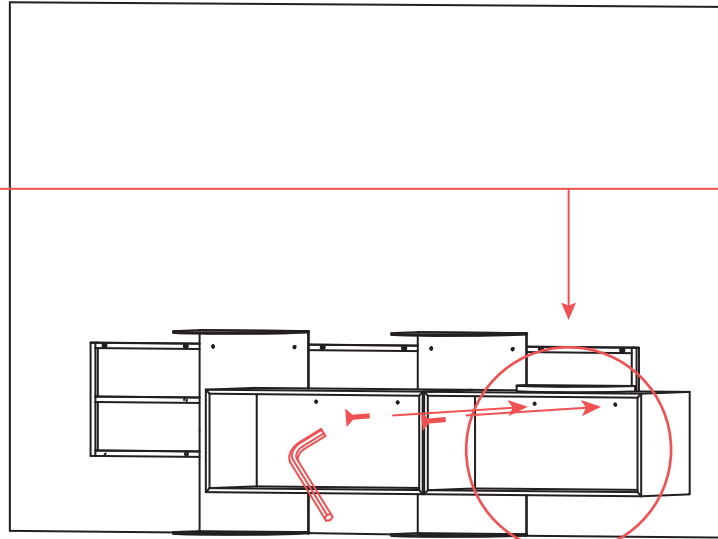
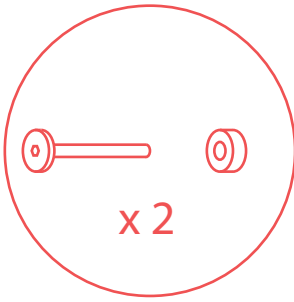
5

Wood Dowel Pin

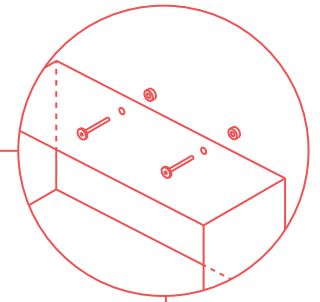


SCREW MODULE B TO THE STRUCTURE

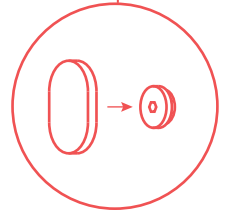
6



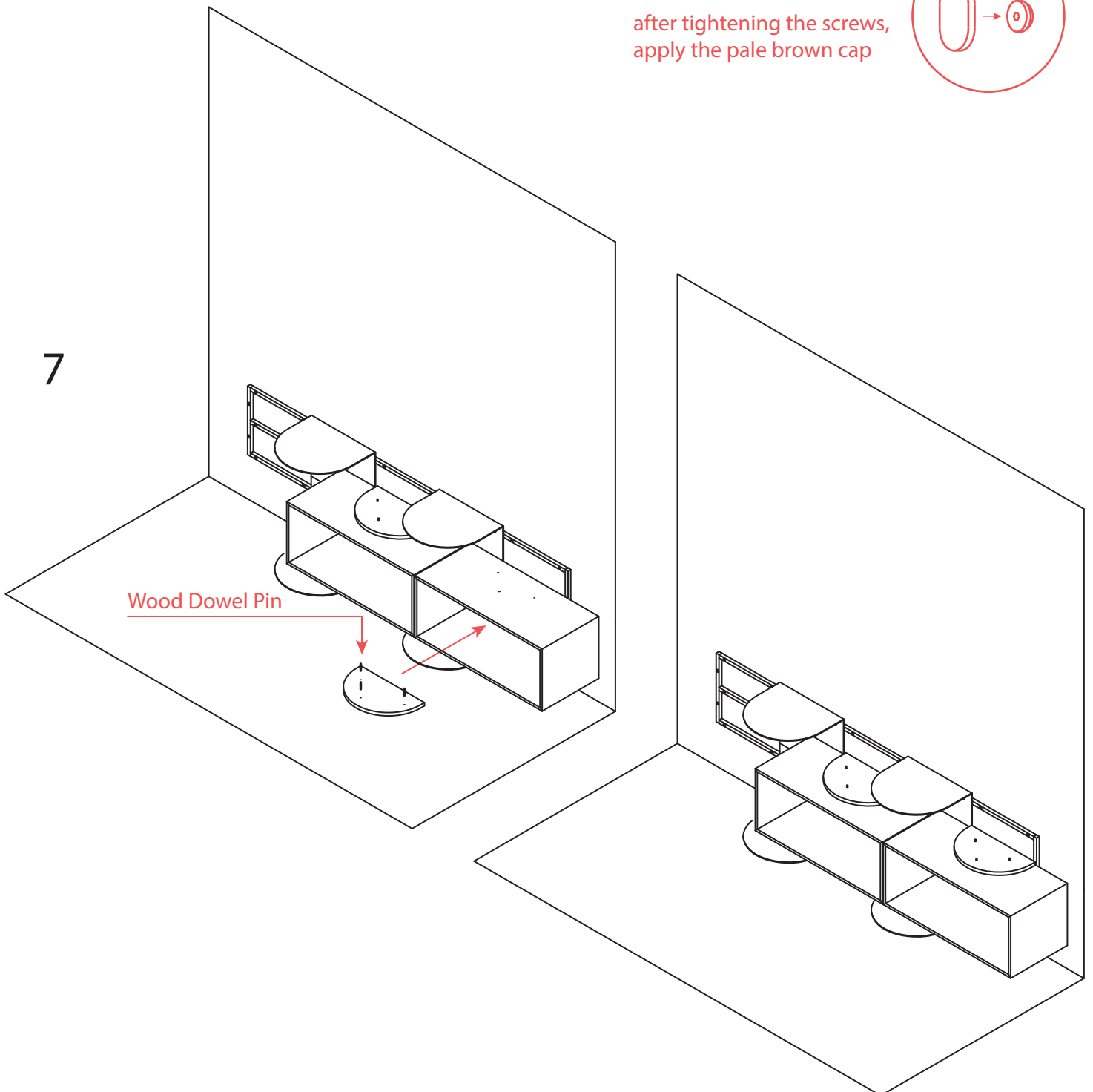
Allen key



after tightening the screws,
apply the pale brown cap



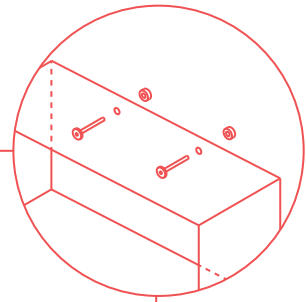
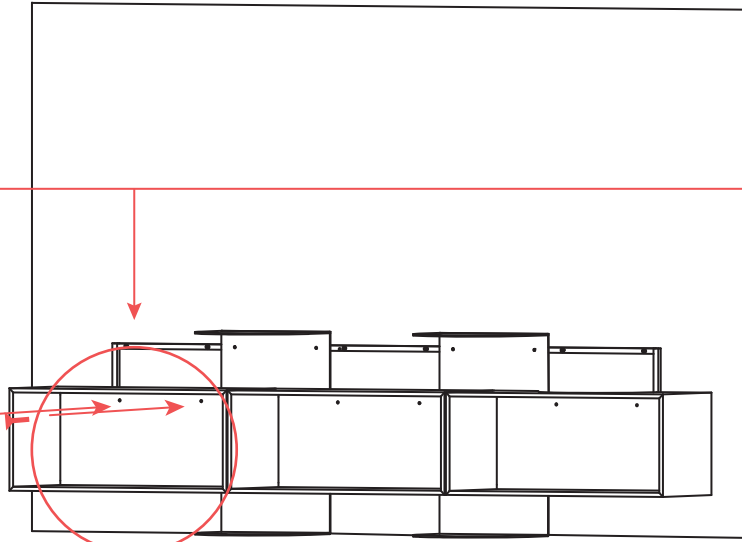
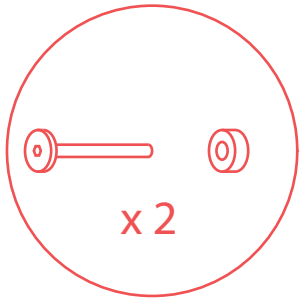
7



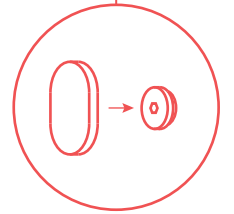
Wood Dowel Pin

SCREW MODULE B TO THE STRUCTURE

8

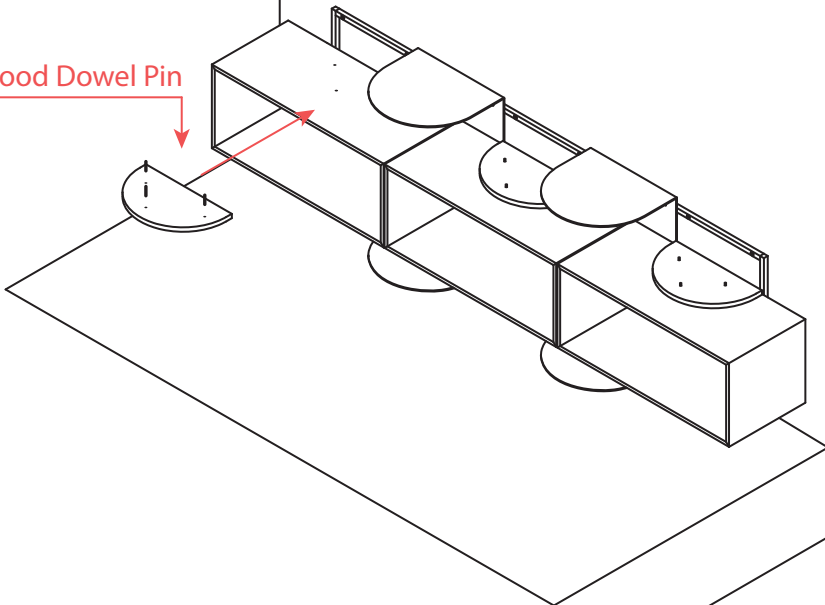


after tightening the screws,
apply the pale brown cap

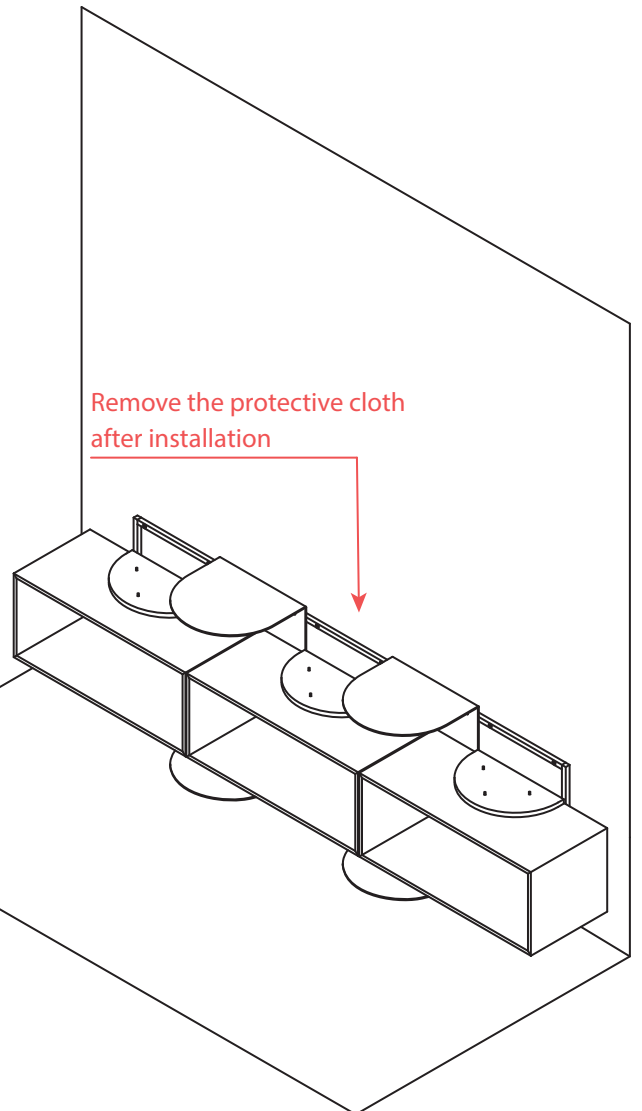


9

Wood Dowel Pin

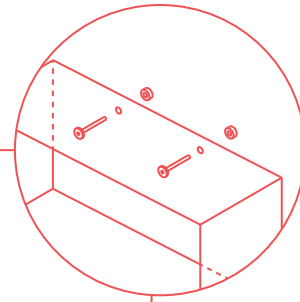
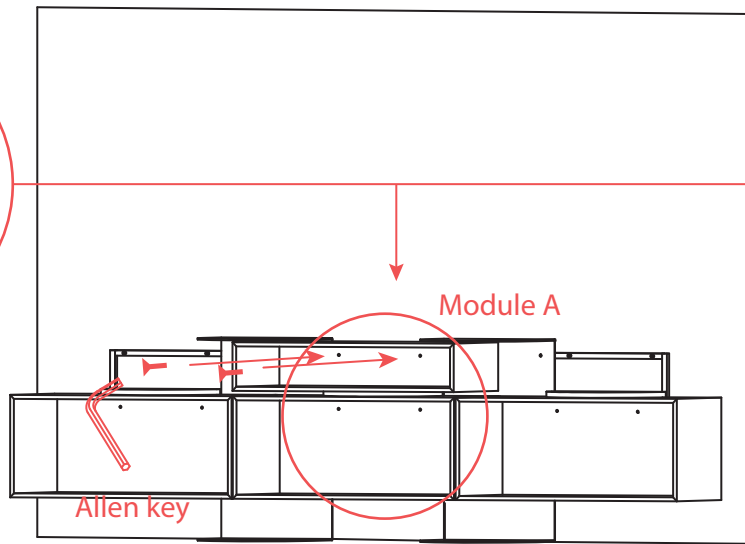
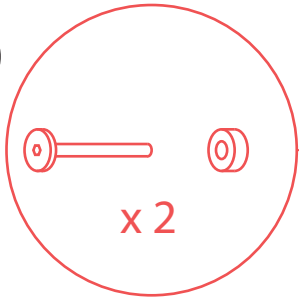


Remove the protective cloth
after installation

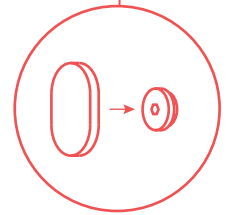


SCREW MODULE A TO THE STRUCTURE

10

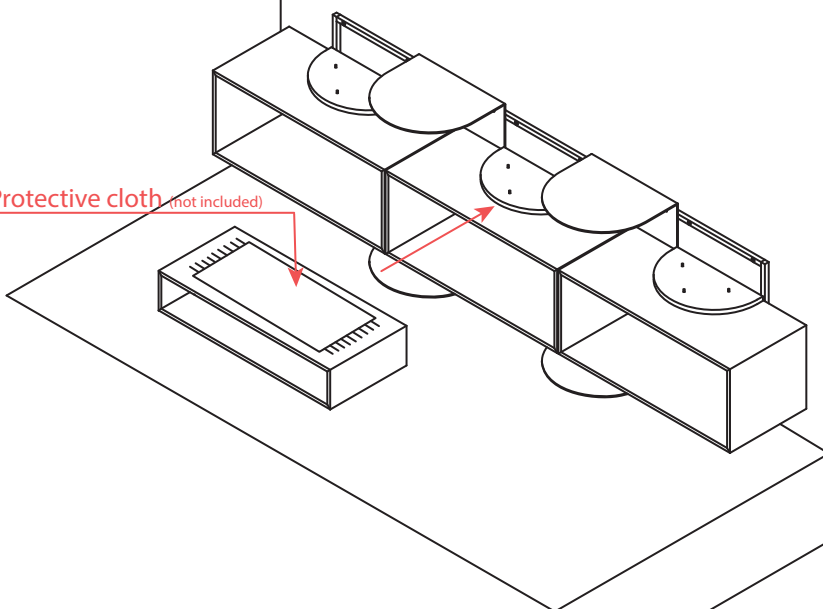


after tightening the screws,
apply the pale brown cap

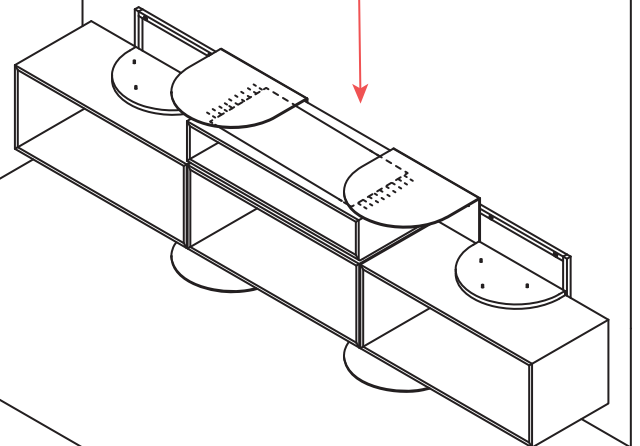


11

Protective cloth (not included)

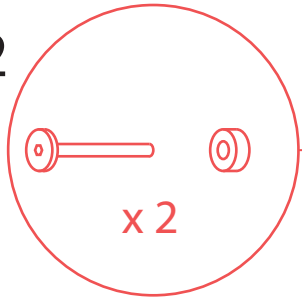


Remove the protective cloth
after installation

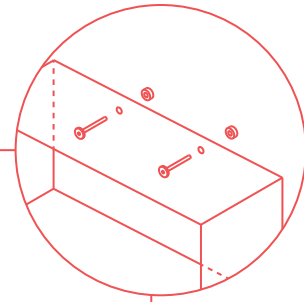
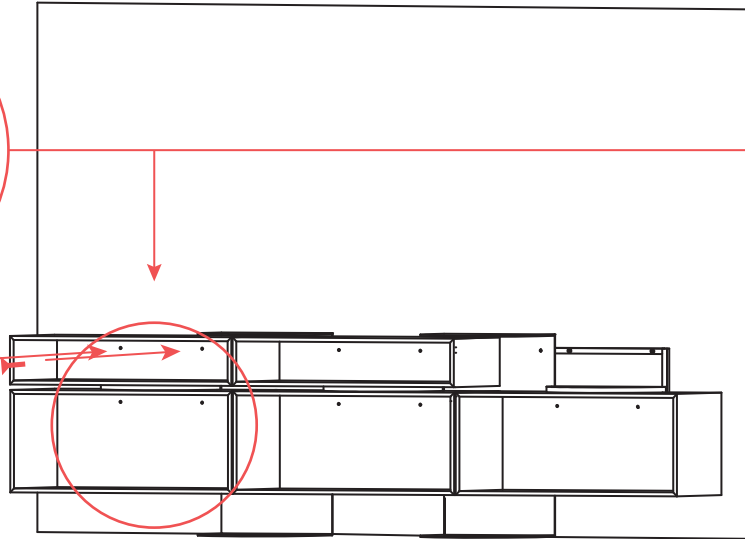


SCREW MODULE A TO THE STRUCTURE

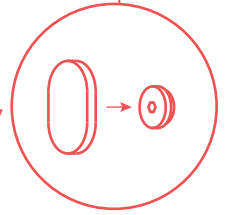
12



Allen key

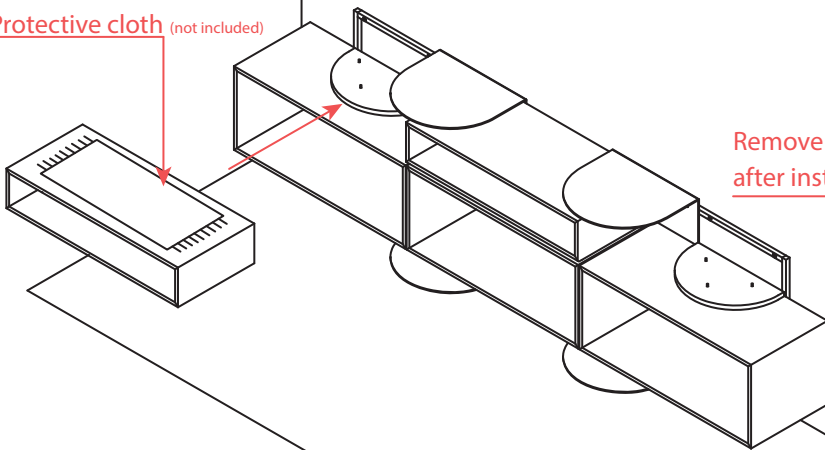


after tightening the screws,
apply the pale brown cap

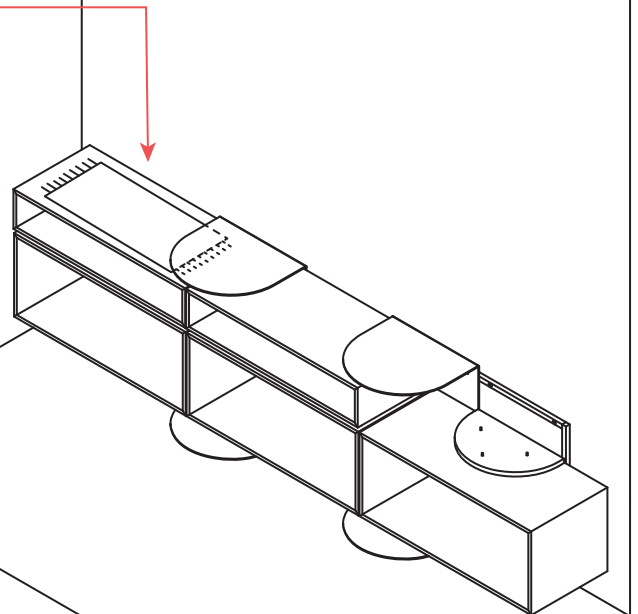


13

Protective cloth (not included)

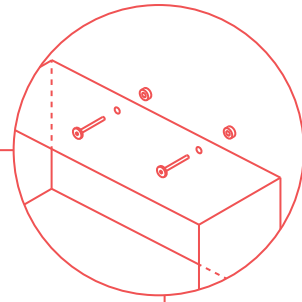
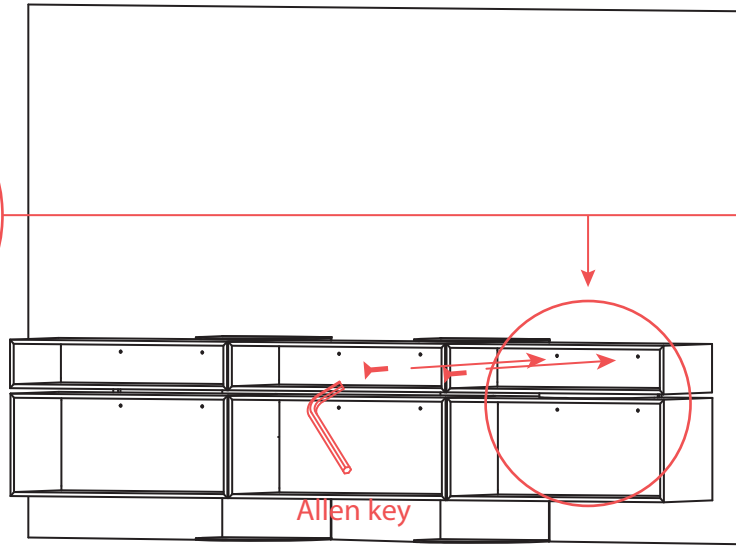
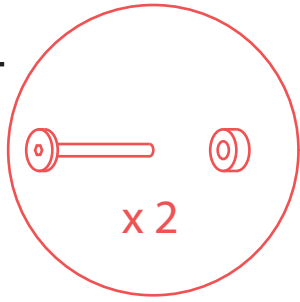


Remove the protective cloth
after installation

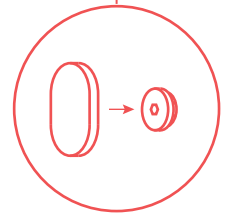


SCREW MODULE A TO THE STRUCTURE

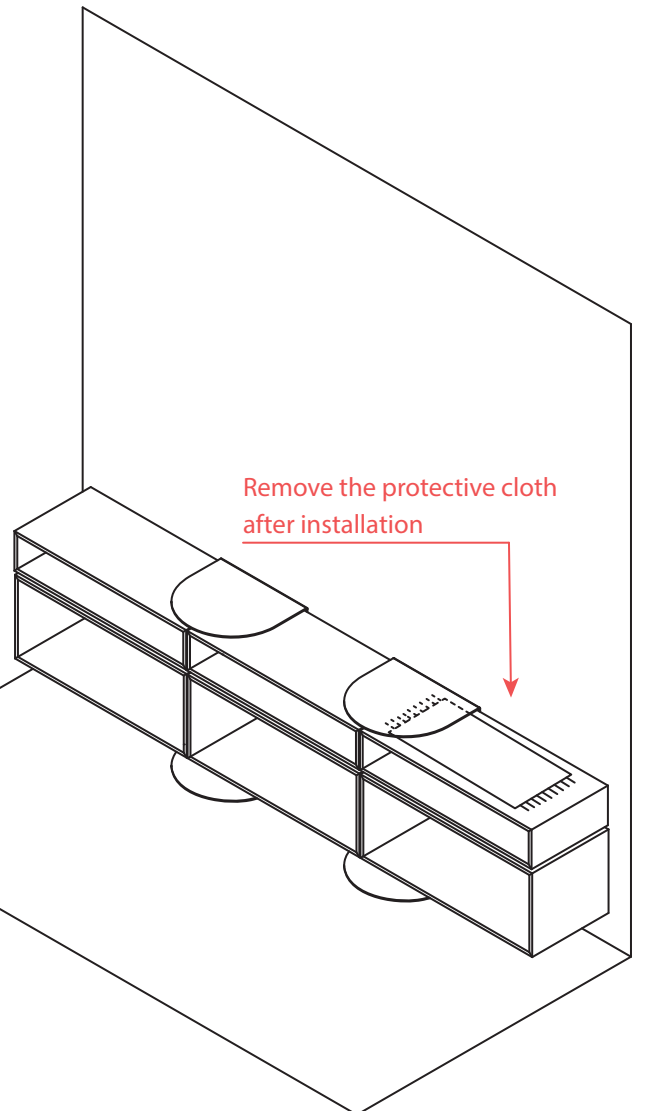
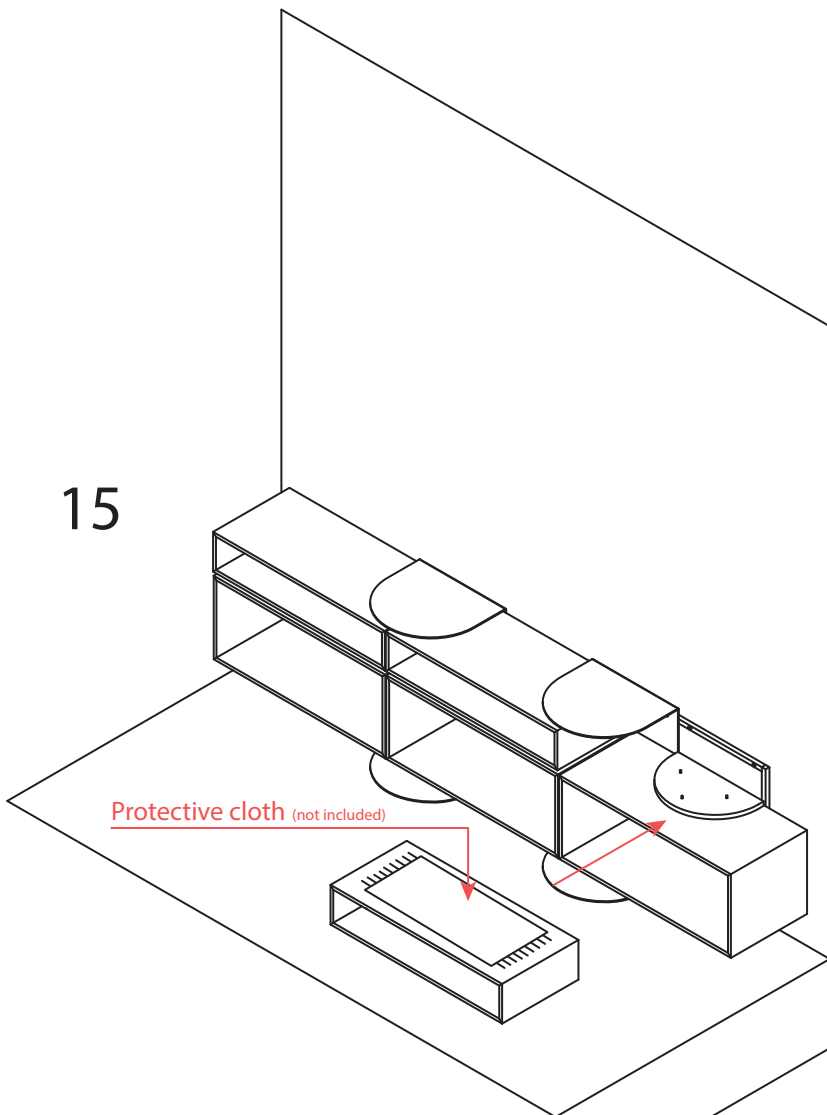
14



after tightening the screws,
apply the pale brown cap

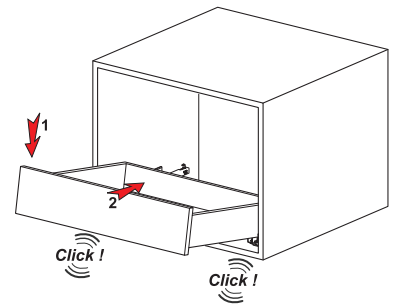
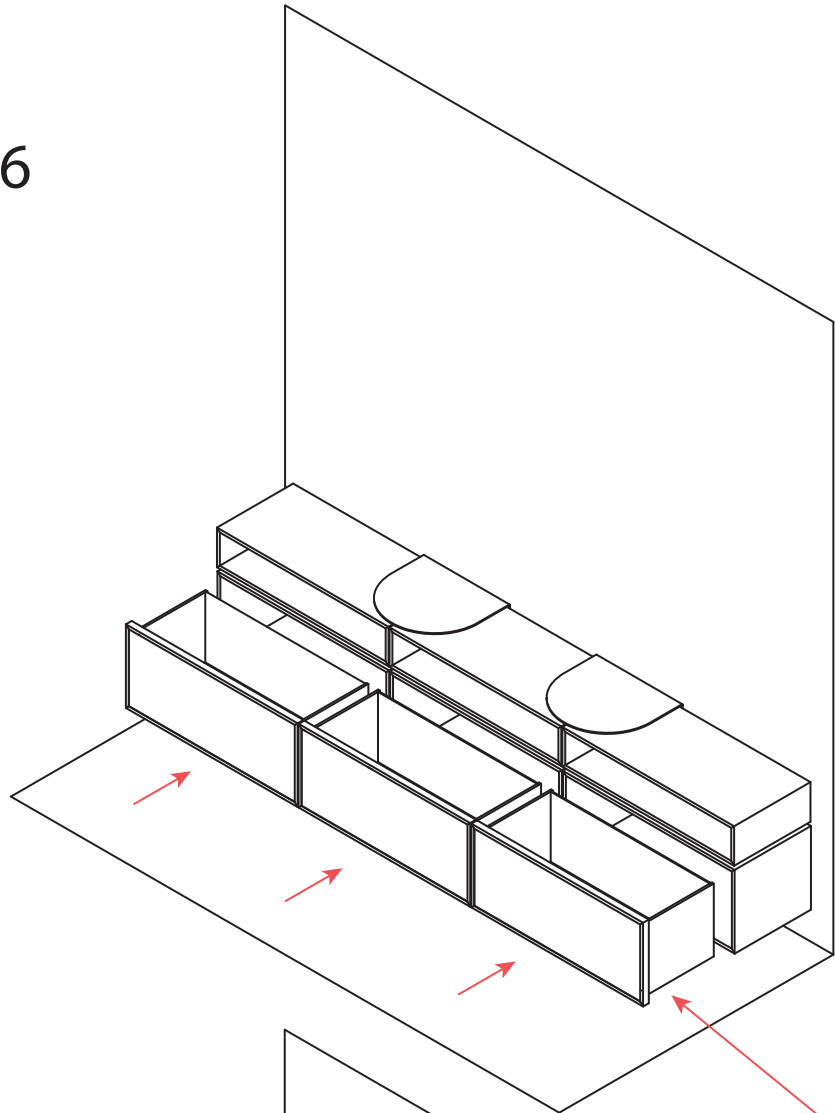


15

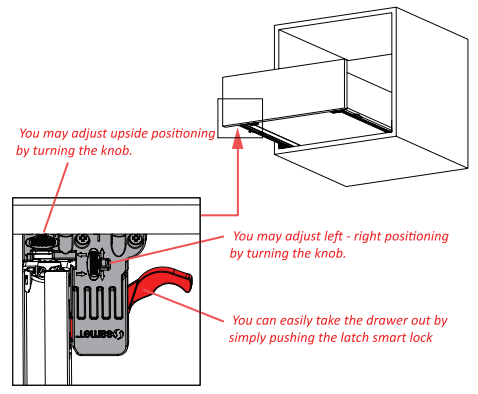
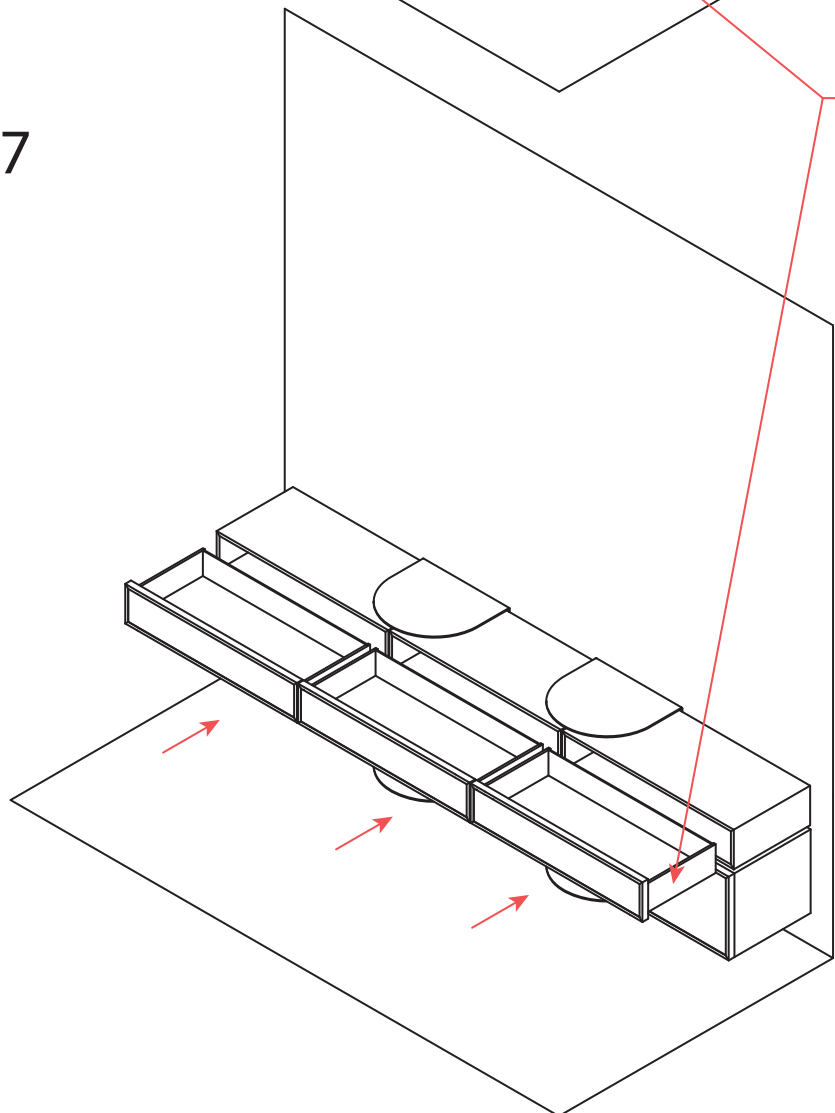


INSERT THE PULL-OUT DRAWERS IN MODULE B AND A

16

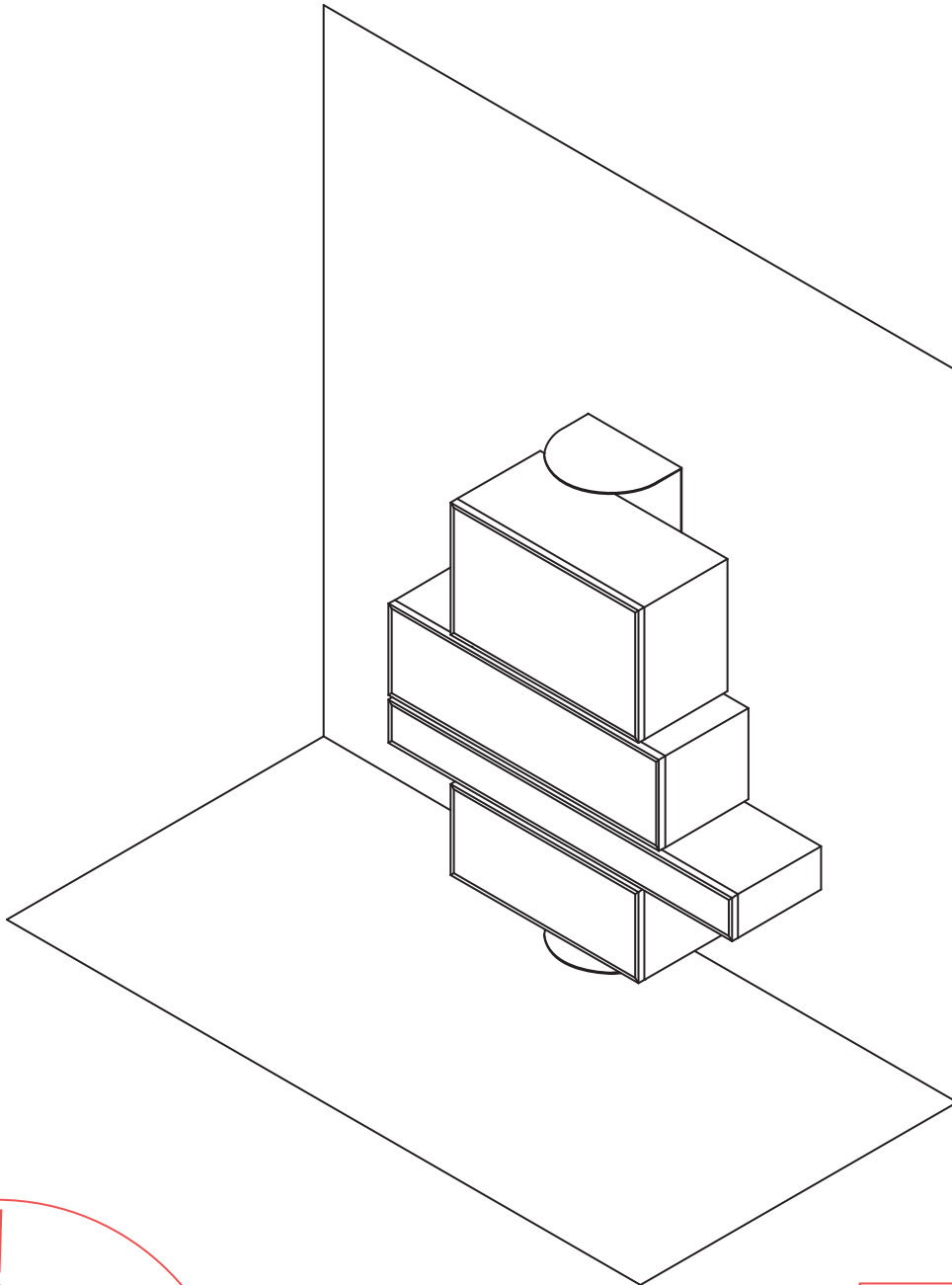


17



NYNY UNIT

ASSEMBLY INSTRUCTIONS







**NYNY furniture cannot
be fixed to plasterboard walls**

 Allen key 4 mm not included

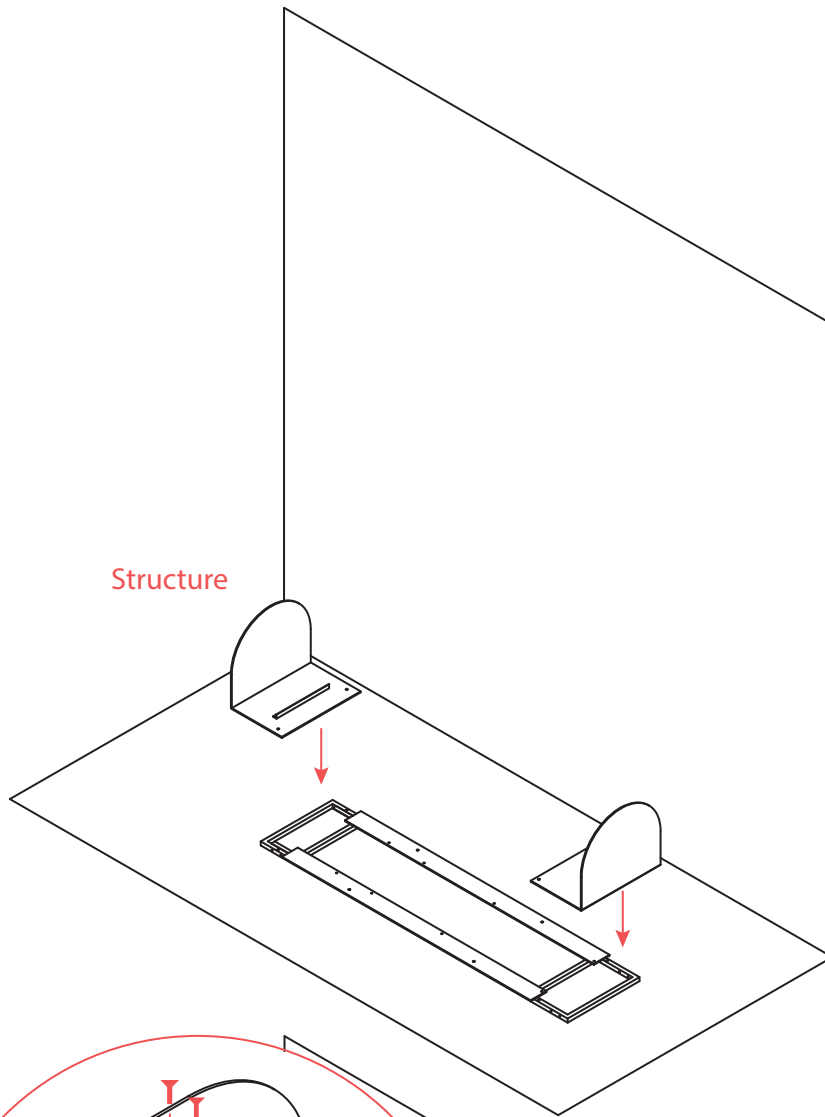
 Wall screws not included

 Wall plugs not included

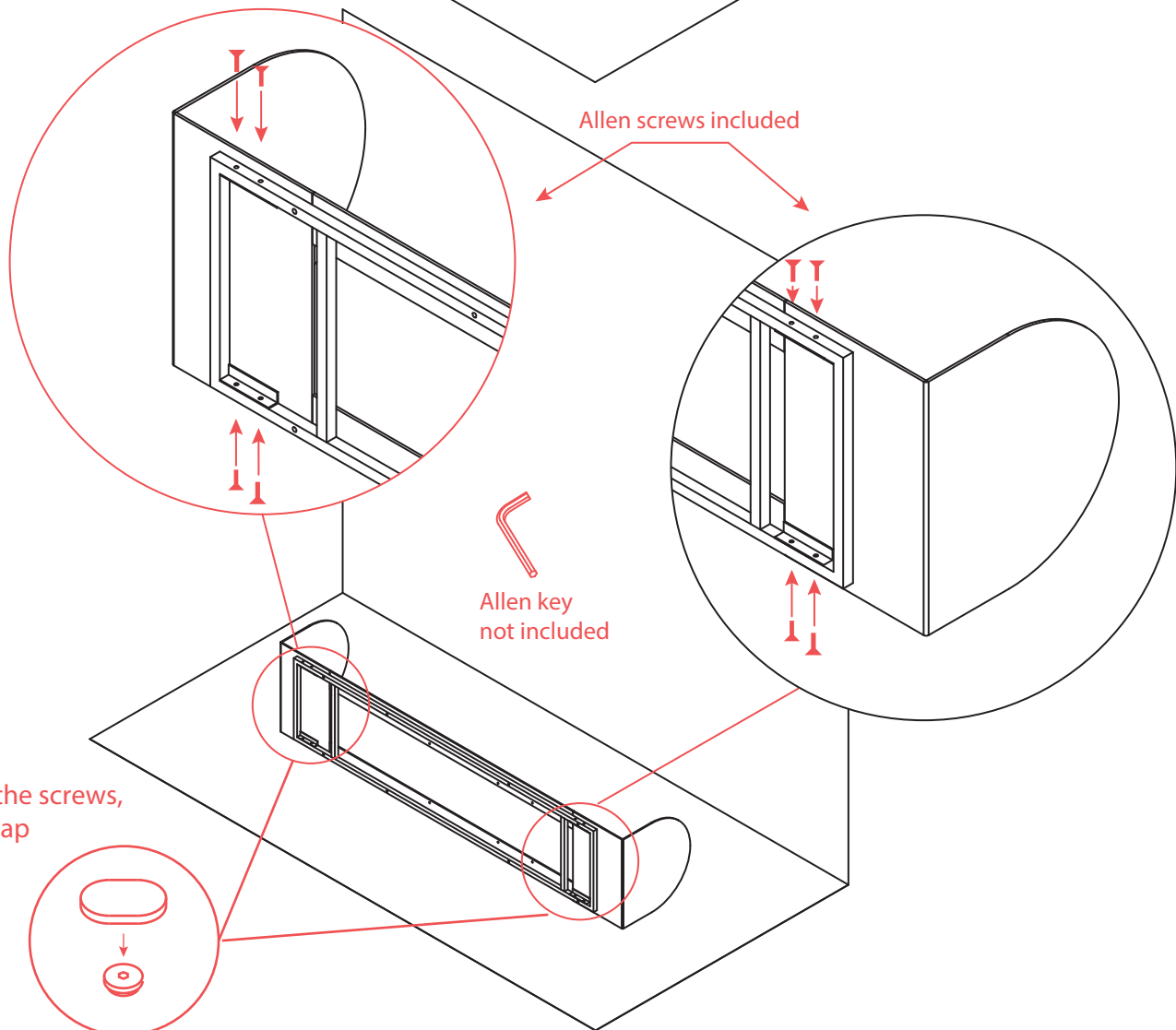
 Pale brown cap	x8
 Black cap	x8
 Allen screws	x16
 Wood Dowel Pin	x10

SET UP THE STRUCTURE

1

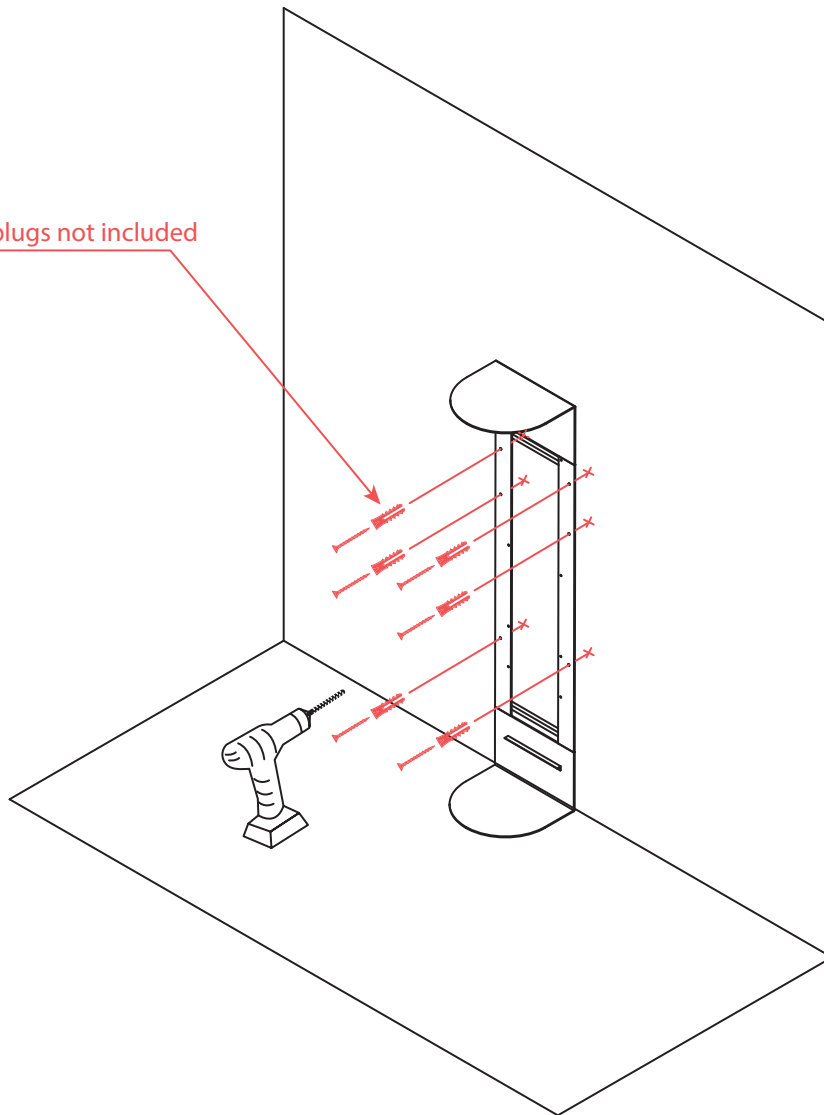


2



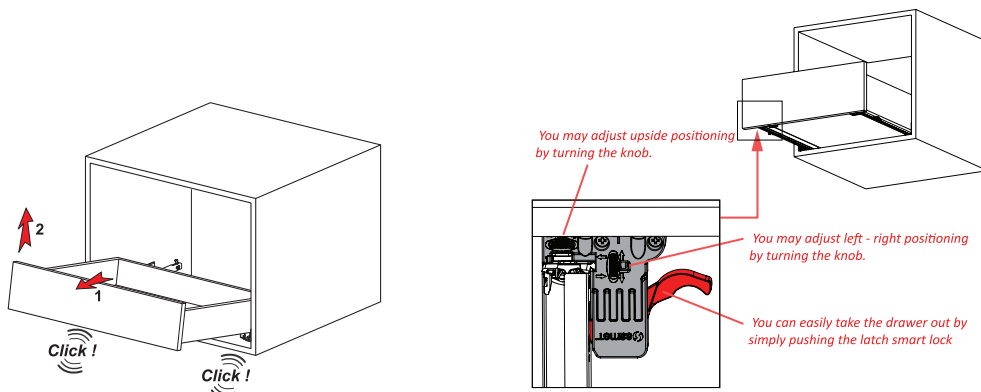
STRUCTURE TO BE FIXED TO WALL

Wall plugs not included



3

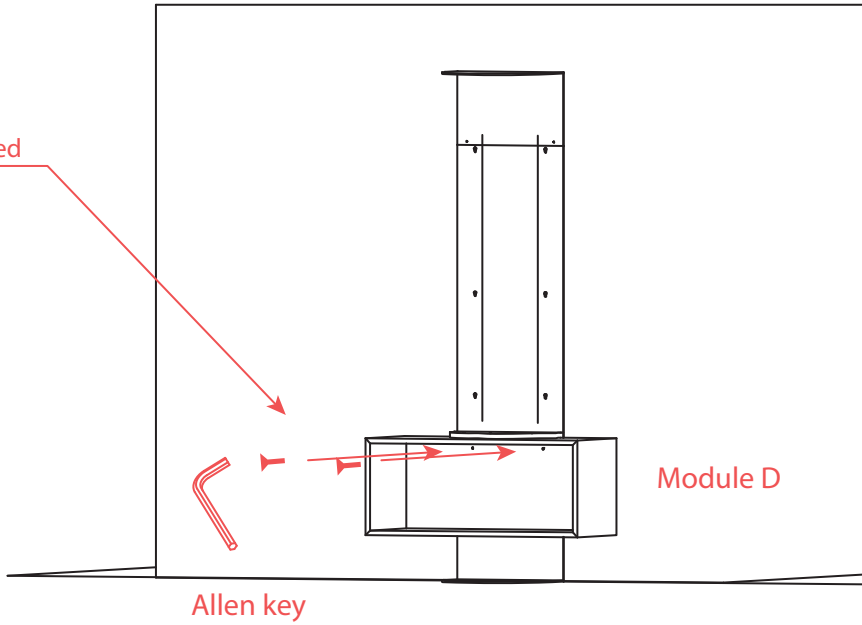
before assembling the modules, remove the sliding drawer



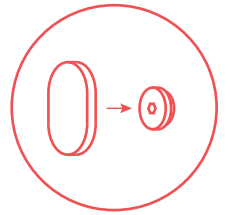
SCREW MODULE D TO THE STRUCTURE

4

Allen screws included

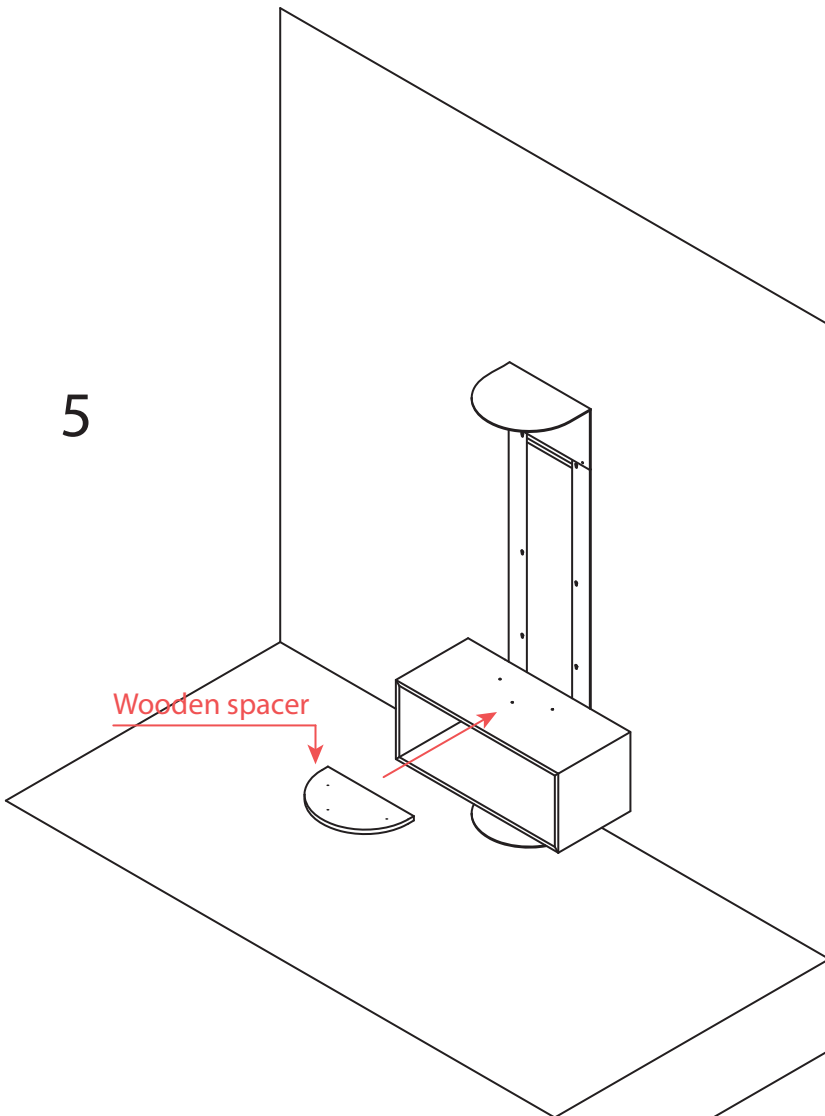


after tightening the screws,
apply the pale brown cap

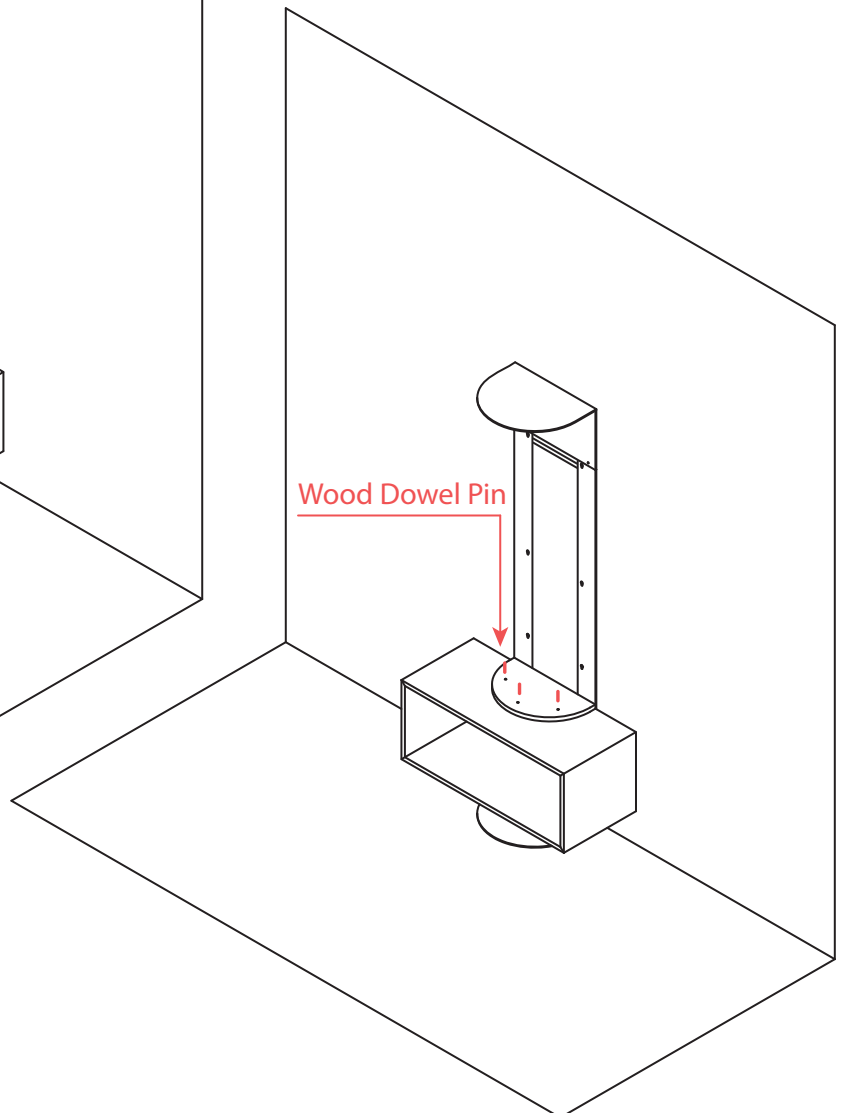


5

Wooden spacer

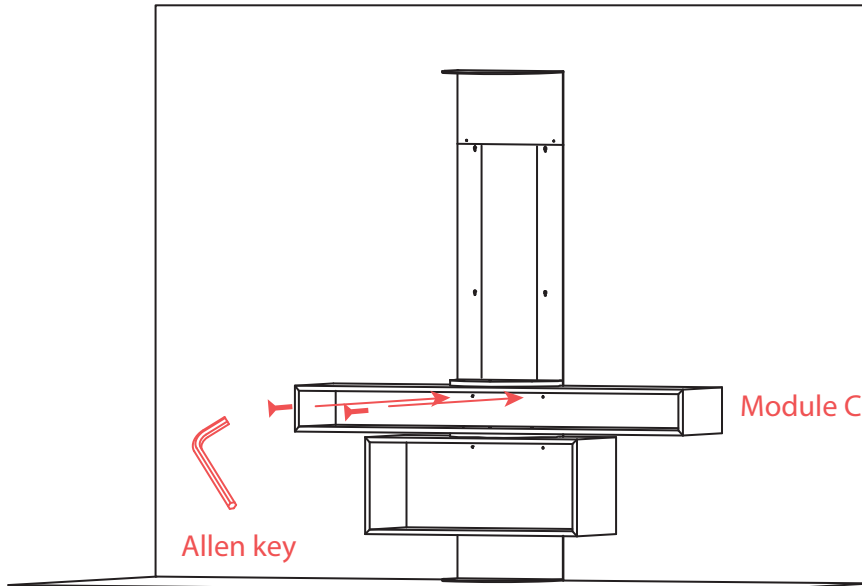


Wood Dowel Pin

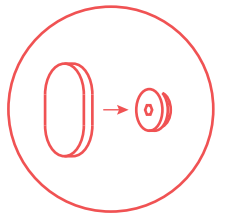


SCREW MODULE C TO THE STRUCTURE

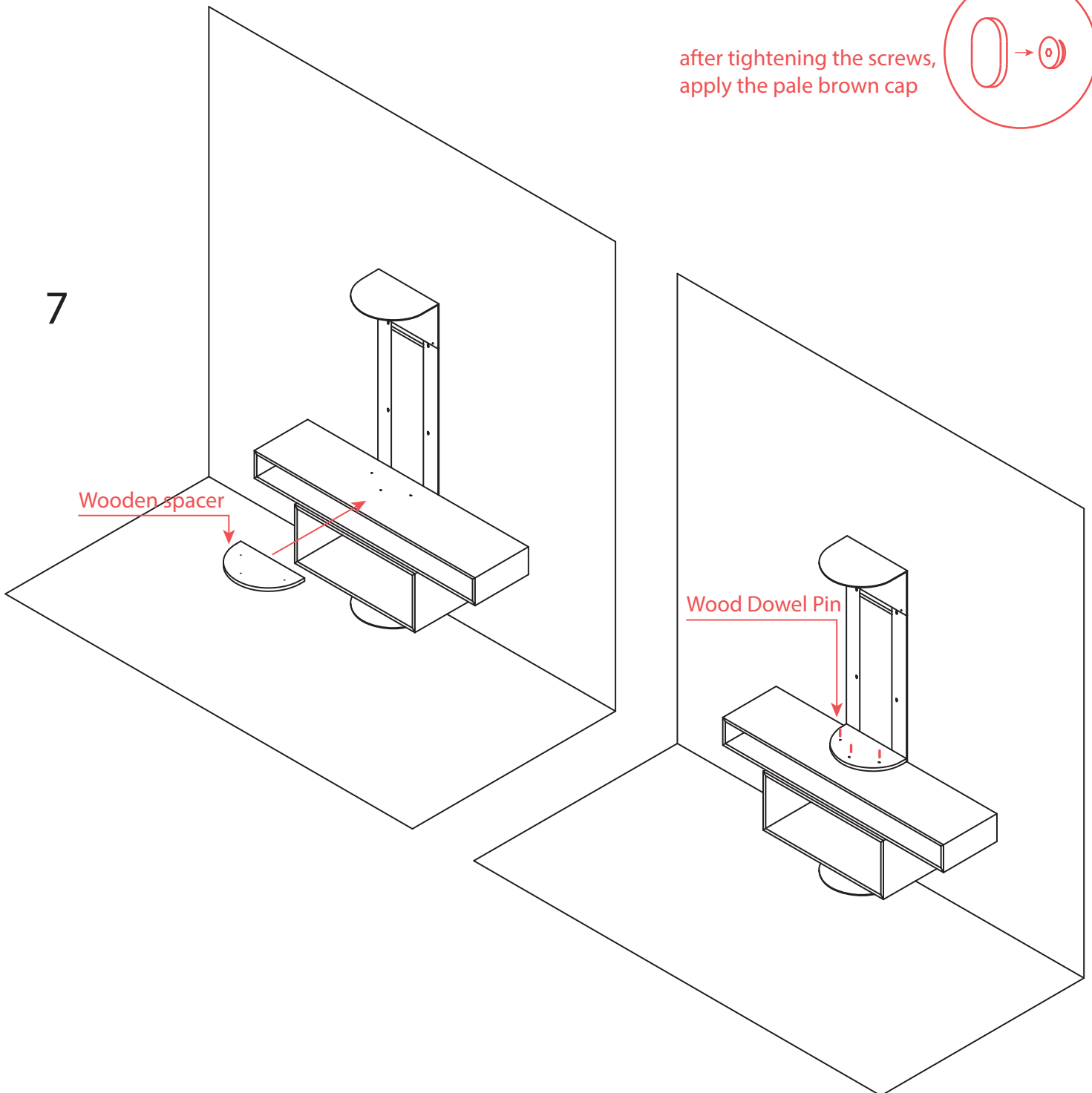
6



after tightening the screws,
apply the pale brown cap

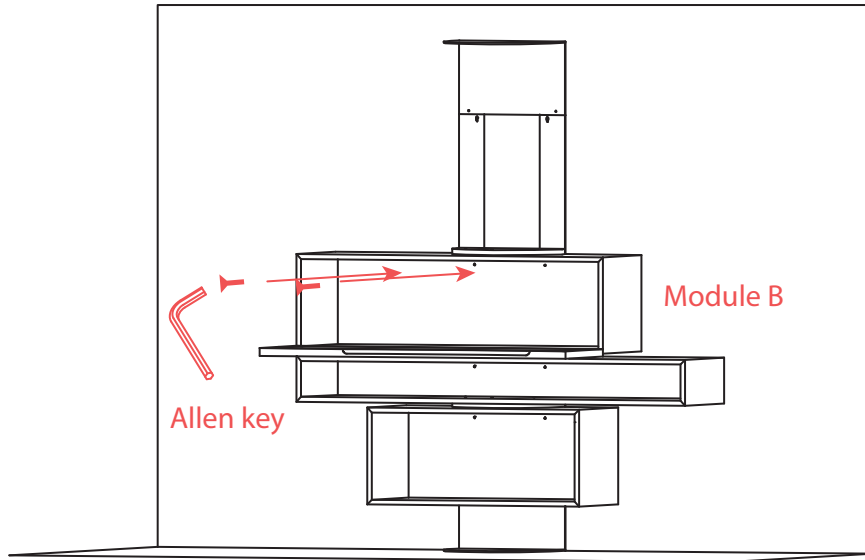


7

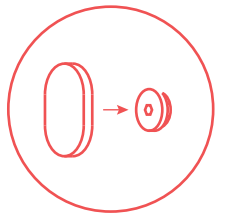


SCREW MODULE B TO THE STRUCTURE

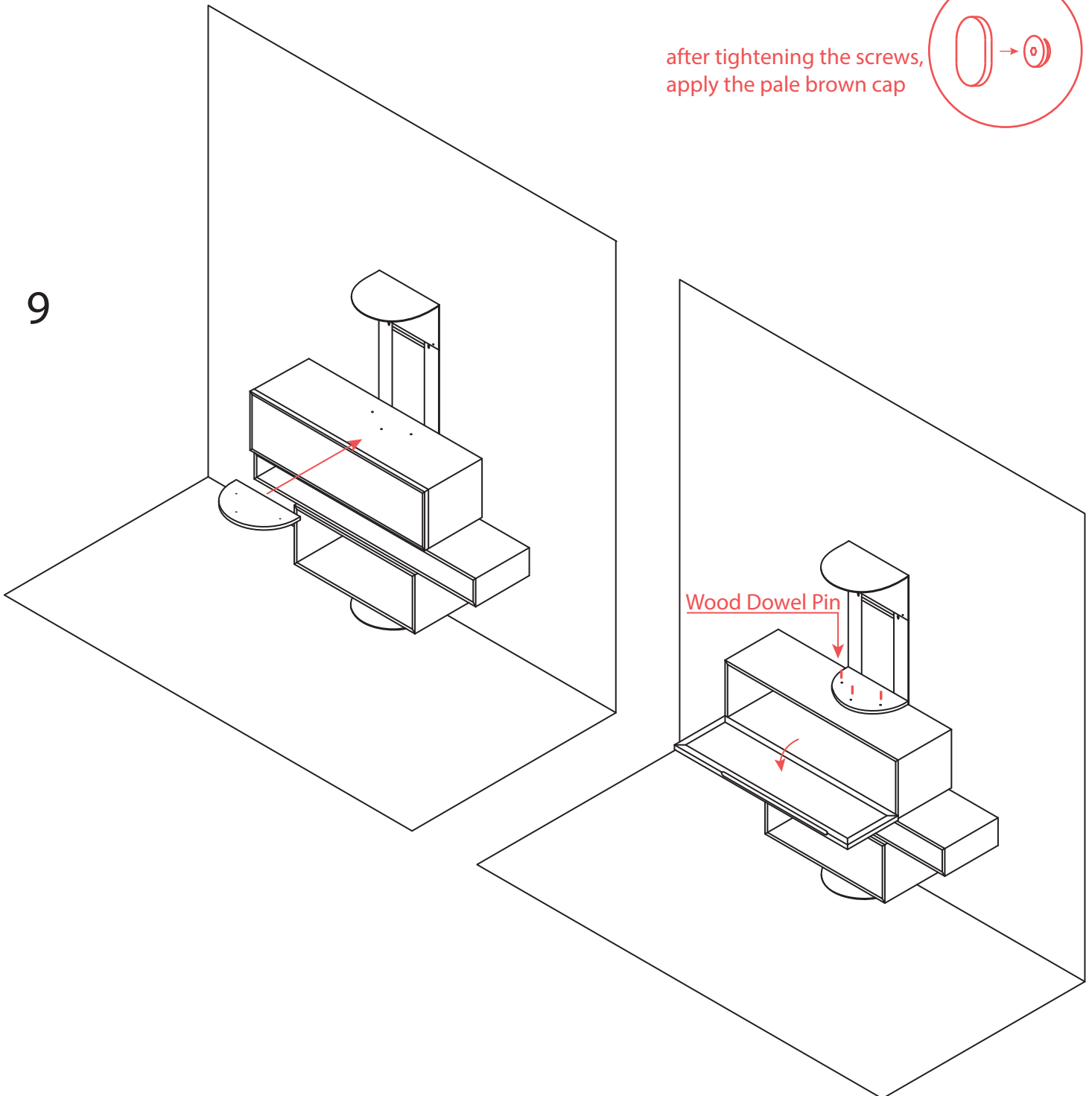
8



after tightening the screws, apply the pale brown cap

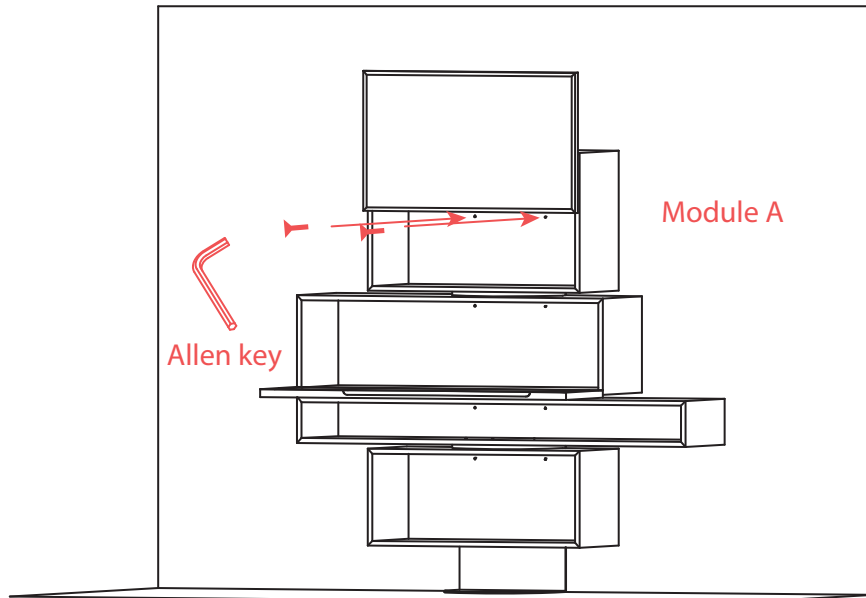


9

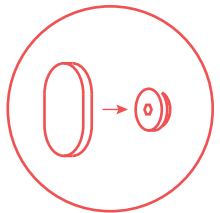


SCREW MODULE A TO THE STRUCTURE

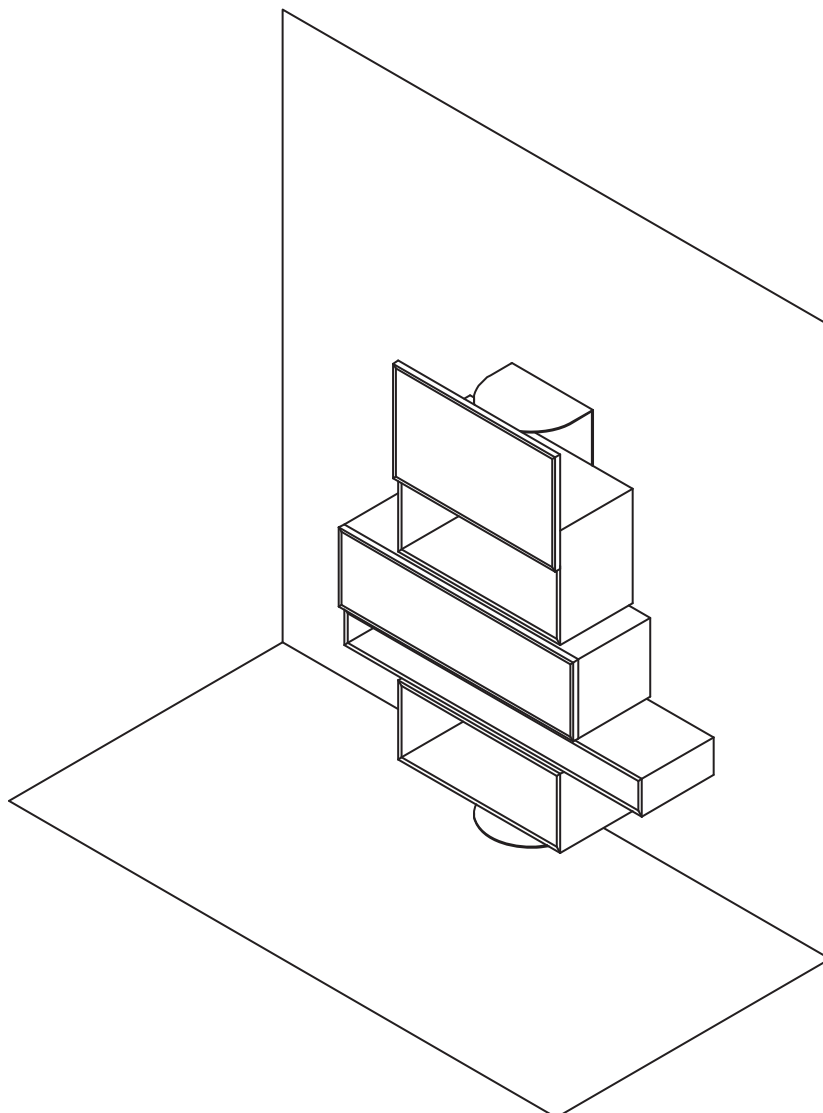
10



after tightening the screws,
apply the pale brown cap

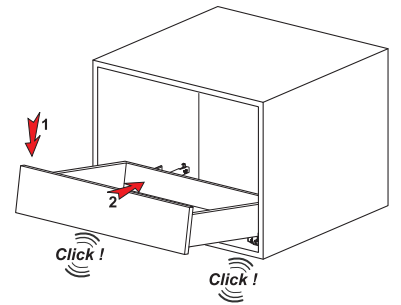
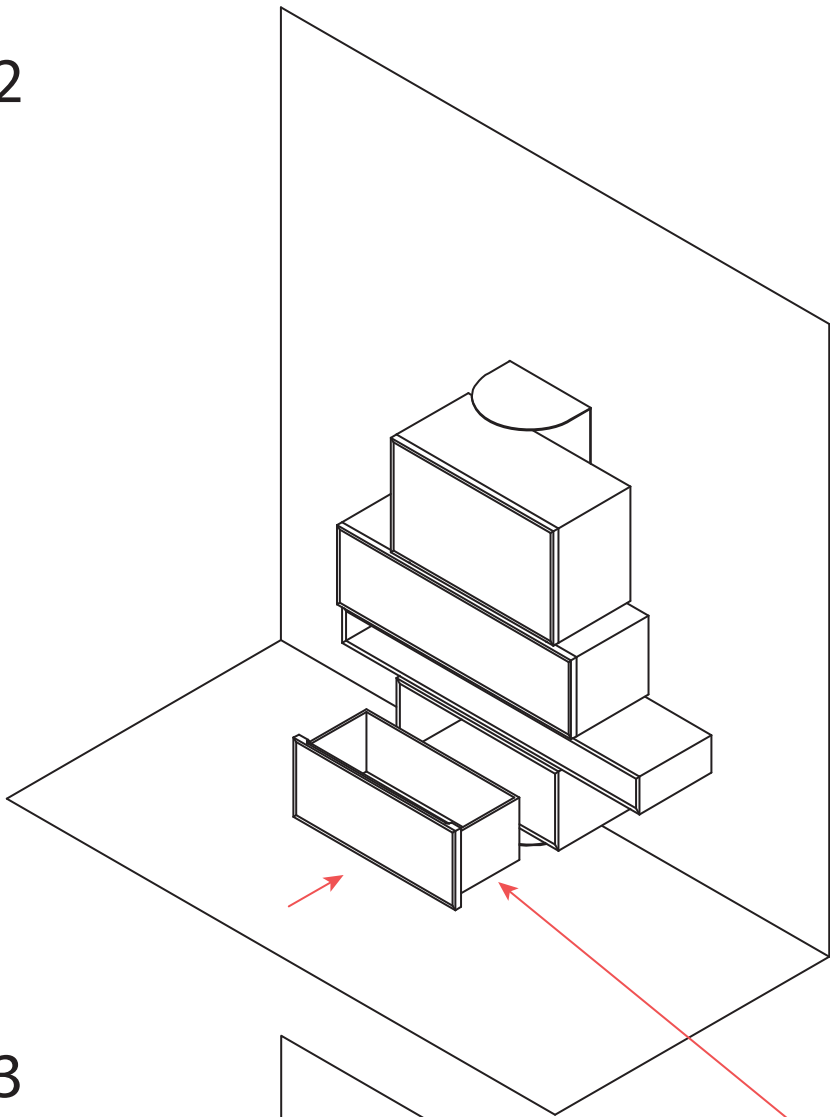


11

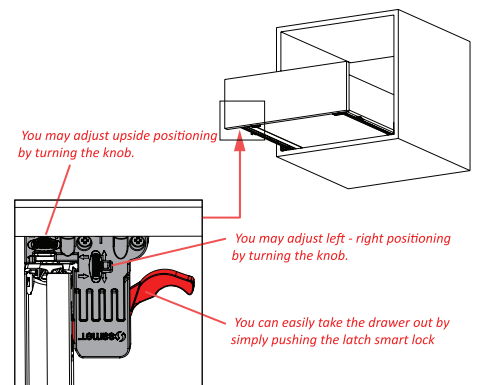
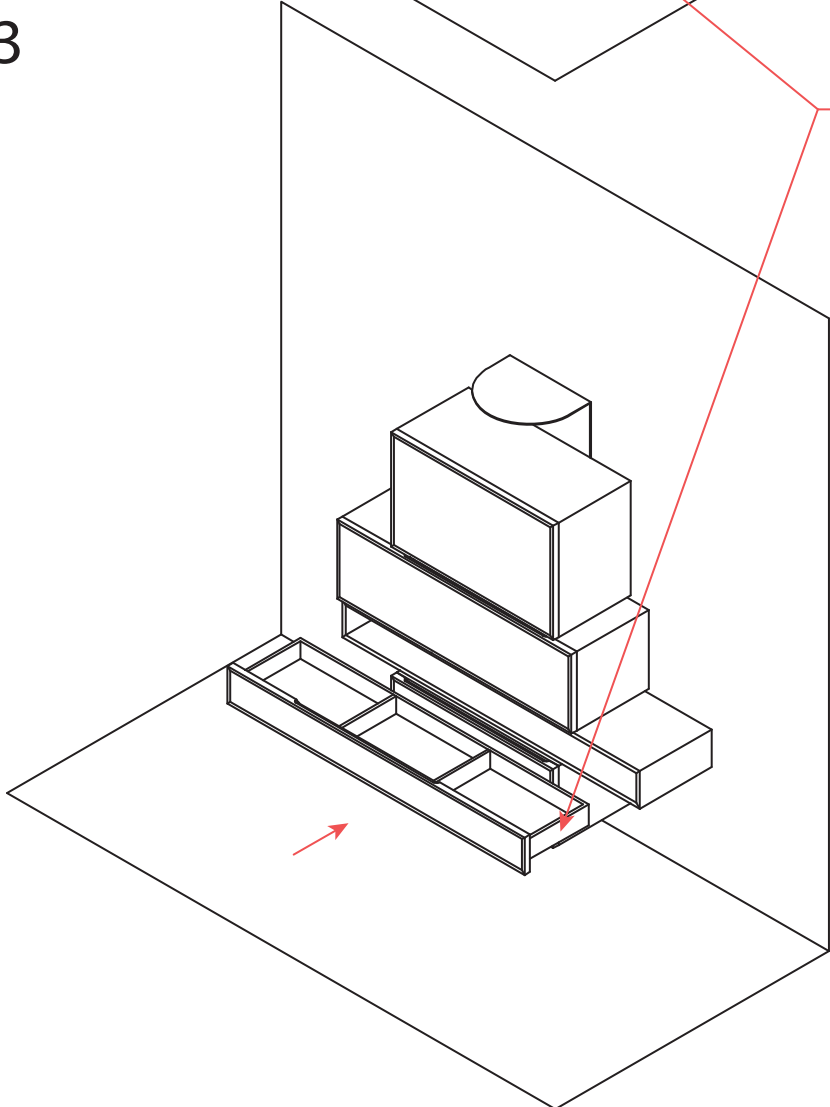


INSERT THE PULL-OUT DRAWERS IN MODULE C AND D

12



13



Gebrüder Thonet Vienna GmbH
Prinz Eugen Straße 42
1040 Wien (AT)

www.gebruederthonetvienna.com

Offices of the trademarks' licensee
Production Furniture International S.p.A.
Via Foggia, 23/H
10152 Torino (TO) Italy

Phone: 0039 011 0133330 - info@gebruederthonetvienna.com